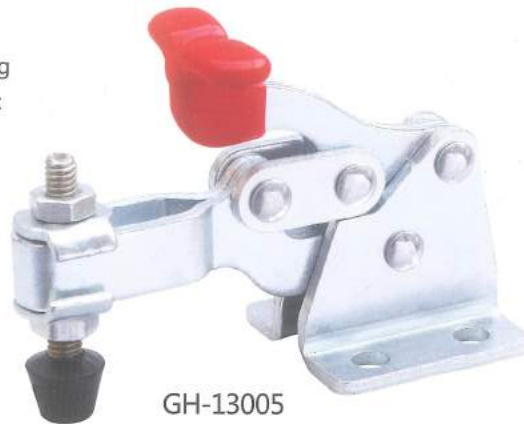
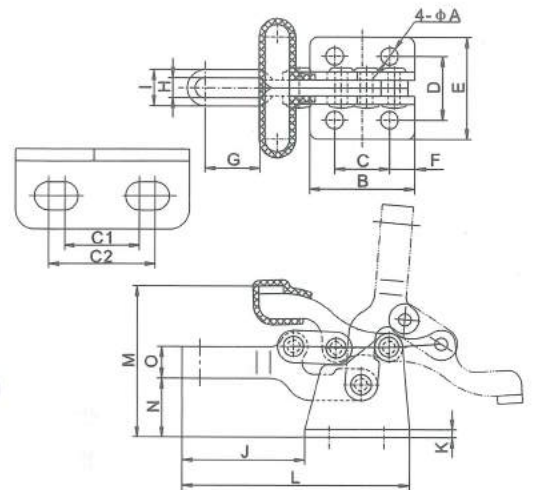


GH-13005 THRU GH-13008

WEIGHT(自重) : 56g
 HOLDING CAPACITY(夹持力) : 68kg
 SPINDLE SUPPLIED(压头螺丝型号) :
 M4×28
 BAR OPENS(压把开启角度) : 90°
 HANDLE OPENS
 (手柄开启角度) : 170°



GH-13005



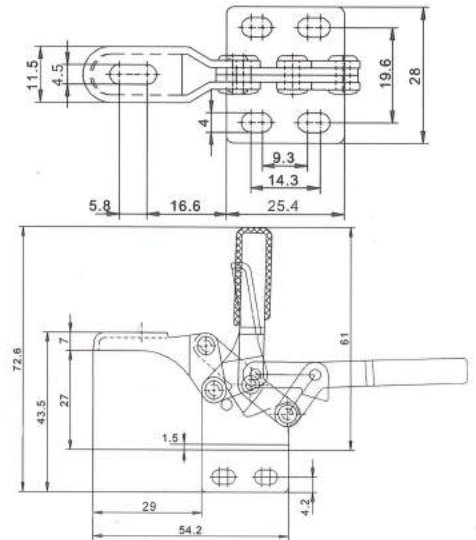
MODEL	WEIGHT	HOLDING CAPACITY(kg)	SPINDLE SUPPLIED	BAR OPENS	HANDLE OPENS	φA	B	C	C1	C2	D	E	F	G	H	I	J	K	L	M	N	O
GH-13005	60	68	GH-FC-10138	90°	170°	4.4	26.2	13.5	-	-	15.9	25.4	6.4	12.7	5.0	9	30.8	2	57	35.2	12.7	7.9
GH-13007	230	150	GH-FC-56212	90°	170°	7	44	-	19	27	29.4	46	10.3	19.5	8.7	14.7	50.1	3	93.7	58.7	22.2	12.7
GH-13008	590	320	GH-FC-38312	90°	170°	7.9	64.3	-	31	39	38.1	62.7	12.7	28.9	10.4	18.4	70.5	3	135	88.1	33.3	19
GH-13005-SS	STAINLESS STEEL																					
GH-13007-SS	STAINLESS STEEL																					

GH-13009 THRU GH-14009

WEIGHT(自重) : 42g
 HOLDING CAPACITY(夹持力) : 30kg
 SPINDLE SUPPLIED(压头螺丝型号) :
 M4×40
 BAR OPENS(压把开启角度) : 80°
 HANDLE OPENS
 (手柄开启角度) : 88°



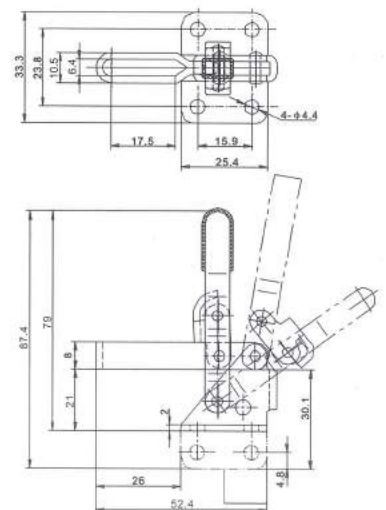
GH-13009



MODEL	DESCRIPTION
GH-13009	FLANGED BASE
GH-14009	STRAIGHT BASE

GH-101-A THRU GH-101-AI

WEIGHT(自重) : 71g
 HOLDING CAPACITY(夹持力) : 50kg
 SPINDLE SUPPLIED(压头螺丝型号) :
 M5×40
 BAR OPENS(压把开启角度) : 100°
 HANDLE OPENS(手柄开启角度) : 56°



MODEL	DESCRIPTION
GH-101-A	U-BAR, FLANGED BASE, STRAIGHT HANDLE
GH-101-AI	U-BAR, STRAIGHT BASE, STRAIGHT HANDLE
GH-101-AIT	U-BAR, STRAIGHT BASE, T-HANDLE
GH-101-AT	U-BAR, FLANGED BASE, T-HANDLE
GH-101-ASS	STAINLESS STEEL

GH-102-B AND GH-102-BSS

WEIGHT(自重) : 115g

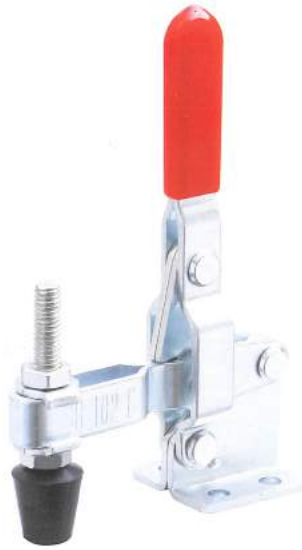
HOLDING CAPACITY(夹持力) : 100kg

SPINDLE SUPPLIED(压头螺丝型号) :

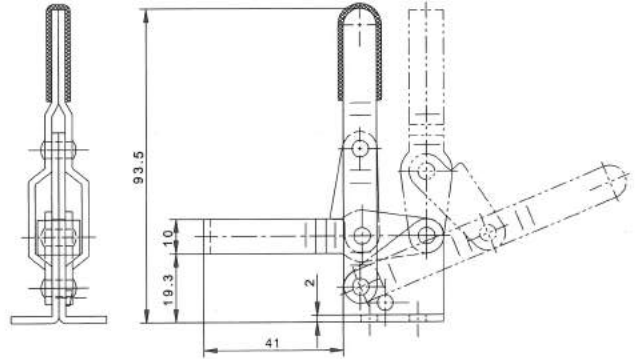
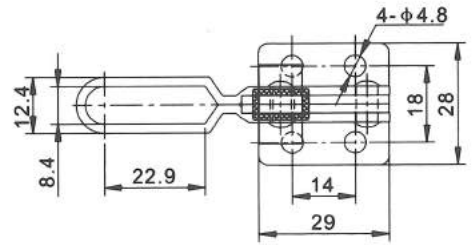
M6×45

BAR OPENS(压把开启角度) : 90°

HANDLE OPENS(手柄开启角度) : 65°



GH-102-B



GH-12050 THRU GH-12050-U

WEIGHT(自重) : 136g

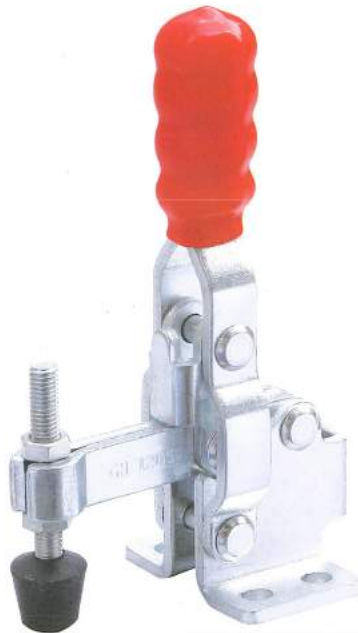
HOLDING CAPACITY(夹持力) : 91kg

SPINDLE SUPPLIED(压头螺丝型号) :

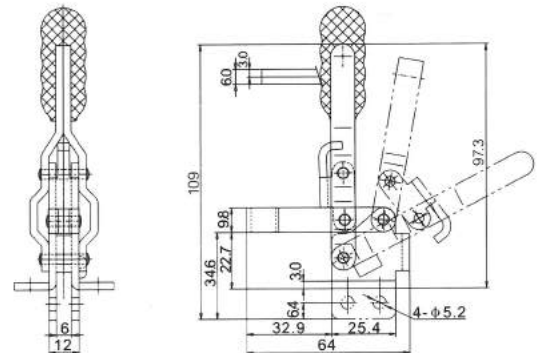
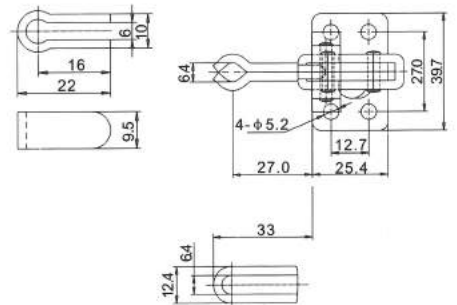
M5×40

BAR OPENS(压把开启角度) : 100°

HANDLE OPENS(手柄开启角度) : 60°



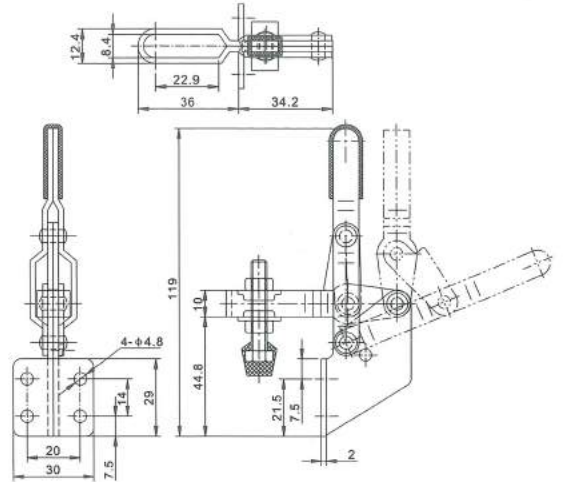
GH-12050



MODEL	DESCRIPTION
GH-12050	FIXED SPINDLE , FLANGED BASE , STRAIGHT HANDLE
GH-12055	FIXED SPINDLE , STRAIGHT BASE , STRAIGHT HANDLE
GH-12050-U	U-BAR , FLANGED BASE , STRAIGHT HANDLE
GH-12055-U	U-BAR , STRAIGHT BASE , STRAIGHT HANDLE

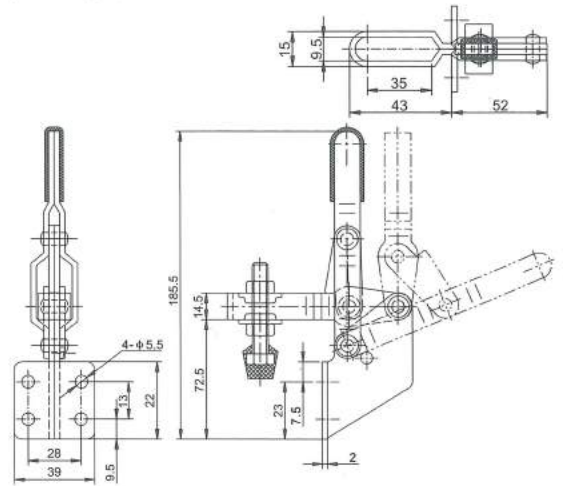
GH-101-B

WEIGHT(自重) : 135.4g
 HOLDING CAPACITY(夹持力) : 100kg
 SPINDLE SUPPLIED(压头螺丝型号) :
 M6×45
 BAR OPENS(压把开启角度) : 90°
 HANDLE OPENS(手柄开启角度) : 65°



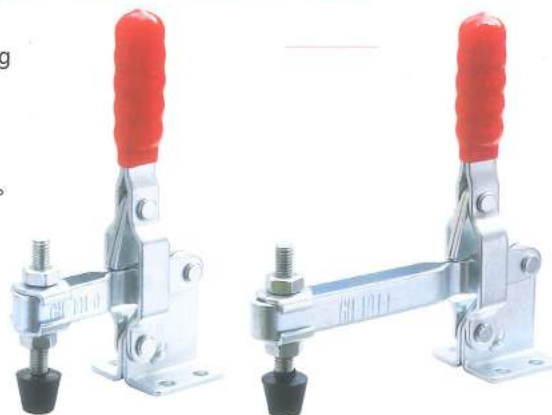
GH-101-DL

WEIGHT(自重) : 350g
 HOLDING CAPACITY(夹持力) : 180kg
 SPINDLE SUPPLIED(压头螺丝型号) :
 M8×60
 BAR OPENS(压把开启角度) : 90°
 HANDLE OPENS(手柄开启角度) : 65°



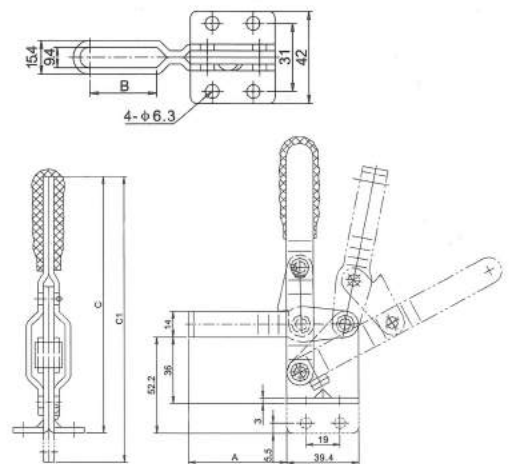
GH-101-D AND GH-101-E GH-101-DI AND GH-101-EI

HOLDING CAPACITY(夹持力) : 180kg
 SPINDLE SUPPLIED(压头螺丝型号) :
 M8×70
 BAR OPENS(压把开启角度) : 100°
 HANDLE OPENS(手柄开启角度) : 60°



GH-101-D

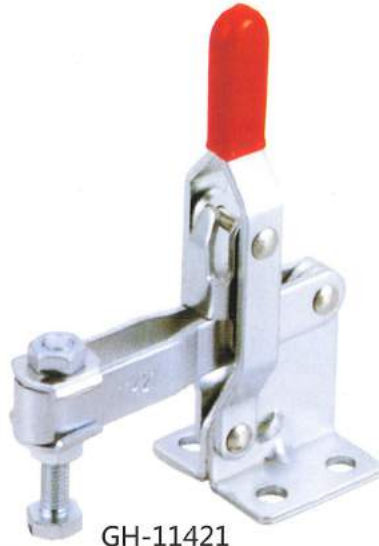
GH-101-E



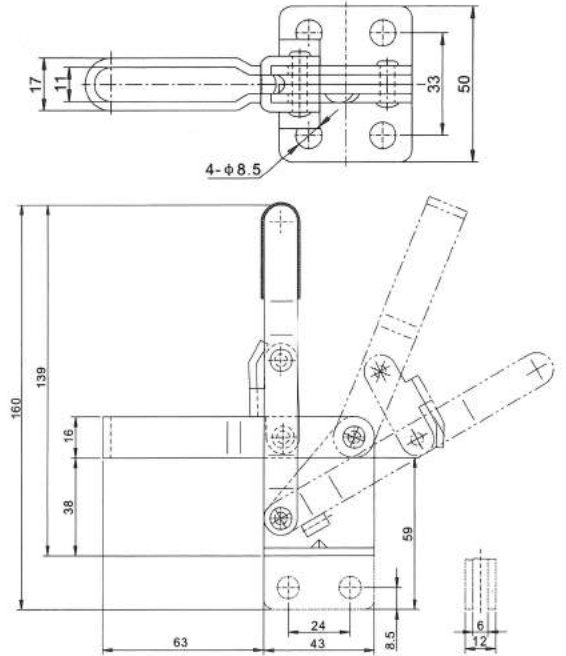
MODEL	DESCRIPTION	WEIGHT(g)	A	B	C	C1
GH-101-D	U-BAR, FLANGED BASE, STRAIGHT HANDLE	320g	54	32.7	145	-
GH-101-D-15	LONGU-BAR, FLANGED BASE, STRAIGHT HANDLE	400g	154	132.7	145	-
GH-101-DI	U-BAR, STRAIGHT BASE, STRAIGHT HANDLE	320g	54	32.7	-	159
GH-101-DI-15	LONGU-BAR, STRAIGHT BASE, STRAIGHT HANDLE	400g	154	132.7	-	159
GH-101-E	LONGU-BAR, FLANGED BASE, STRAIGHT HANDLE	350g	104	82.7	145	-
GH-101-E-20	LONGU-BAR, FLANGED BASE, STRAIGHT HANDLE	410g	204	182.7	145	-
GH-101-EI	LONGU-BAR, STRAIGHT BASE, STRAIGHT HANDLE	350g	104	82.7	-	159
GH-101-EI-20	LONGU-BAR, STRAIGHT BASE, STRAIGHT HANDLE	410g	204	182.7	-	159

GH-11421 AND GH-12421

WEIGHT(自重) : 370g
 HOLDING CAPACITY(夹持力) : 200kg
 SPINDLE SUPPLIED(压头螺丝型号) :
 M8×50
 BAR OPENS(压把开启角度) : 94°
 HANDLE OPENS(手柄开启角度) : 45°



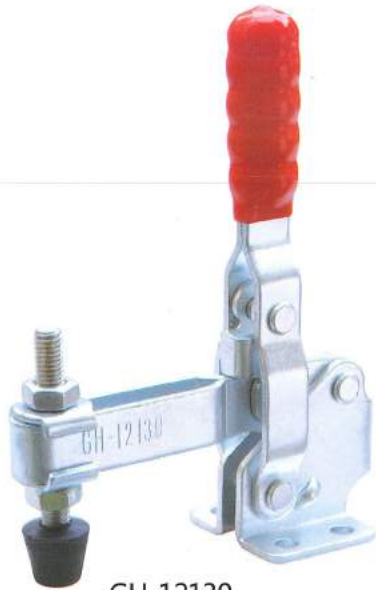
GH-11421



MODEL	DESCRIPTION
GH-11421	FLANGED BASE
GH-12421	STRAIGHT BASE
GH-11421-SS	STAINLESS STEEL

GH-12130 THRU GH-12137

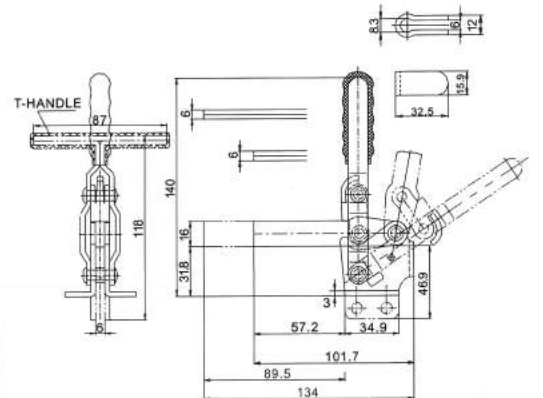
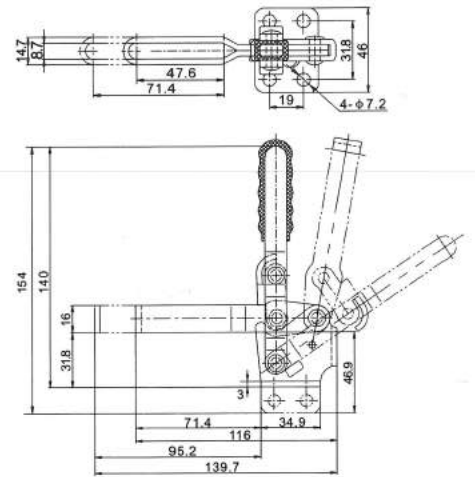
HOLDING CAPACITY(夹持力) : 227kg
 SPINDLE SUPPLIED(压头螺丝型号) : M8×70
 BAR OPENS(压把开启角度) : 100°
 HANDLE OPENS(手柄开启角度) : 60°



GH-12130



GH-12132



MODEL	DESCRIPTION	WEIGHT(g)
GH-12130	SHORTU-BAR, FLANGED BASE, STRAIGHT HANDLE	335
GH-12135	SHORTU-BAR, STRAIGHT BASE, T-HANDLE	335
GH-12132	LONGU-BAR, FLANGED BASE, STRAIGHT HANDLE	350
GH-12137	LONGU-BAR, STRAIGHT BASE, T-HANDLE	350

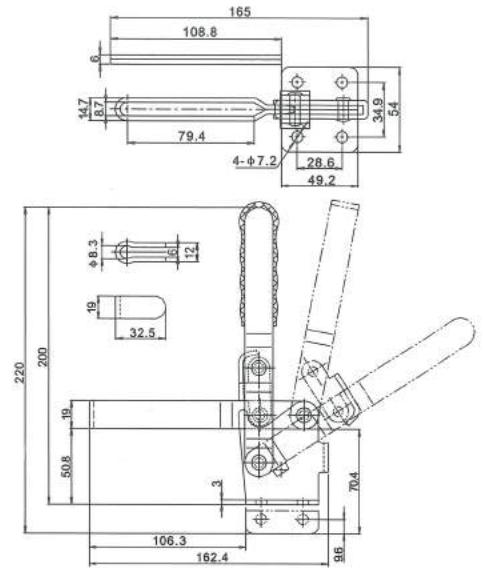
GH-12205

WEIGHT(自重) : 620g
 HOLDING CAPACITY(夹持力) : 182kg
 SPINDLE SUPPLIED(压头螺丝型号) :
 M10×80
 BAR OPENS(压把开启角度) : 101°
 HANDLE OPENS(手柄开启角度) : 57°



GH-12205

MODEL	DESCRIPTION
GH-12205	U-BAR , FLANGED BASE
GH-12210	U-BAR , STRAIGHT BASE

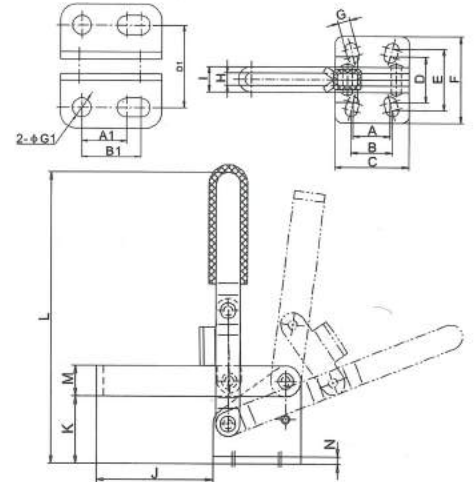


GH-13002-B THRU GH-13002-BI

GH-13002-B has
 Hardened bushings
 Removable ground pins.
 (产品转动关键部位装有耐磨套)
 SPINDLE SUPPLIED(压头螺丝型号) :
 M8×80



GH-13002-B



MODEL	WEIGHT(g)	HOLDING CAPACITY(kg)	SPINDLE SUPPLIED	BAR OPENS	HANDLE OPENS	A	A1	B	B1	C	D	D1	E	F	φG1	H	I	J	K	L	M	N	
GH-12002-B	240	150	GH-SA-064010	108°	70°	12.7	19	35	25	27	42	6.1	11.1	44	31	137	13	3					
GH-13002-B	520	250	GH-SA-086512	106°	67°	19	25	43	33.5	511	8	8.7	14.7	100	35	196	19	3					

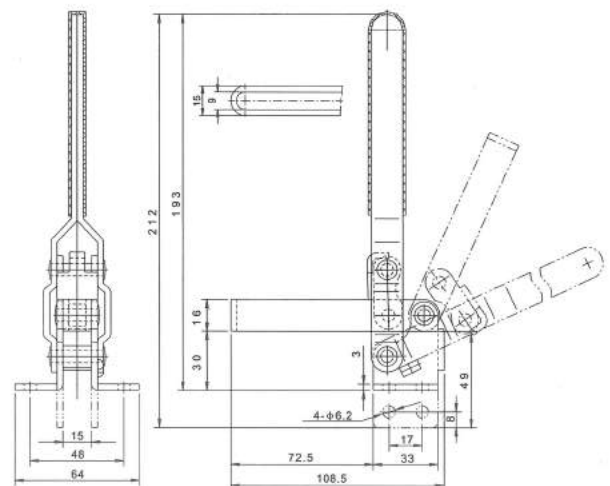
GH-11412

WEIGHT(自重) : 379g
 HOLDING CAPACITY(夹持力) : 200kg
 SPINDLE SUPPLIED(压头螺丝型号) :
 M8×60
 BAR OPENS(压把开启角度) : 110°
 HANDLE OPENS(手柄开启角度) : 64°



GH-11412

MODEL	DESCRIPTION
GH-11412	FLANGED BASE



GH-12265

WEIGHT(自重) : 574g

Hardened bushings Removable ground pins.

(产品转动关键部位装有耐磨套)

HOLDING CAPACITY(夹持力) : 340kg

SPINDLE SUPPLIED(压头螺丝型号) :

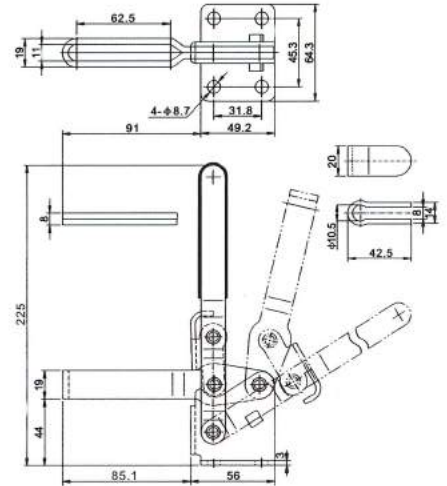
M10×80

BAR OPENS(压把开启角度) : 105°

HANDLE OPENS(手柄开启角度) : 58°



GH-12265



MODEL	DESCRIPTION	WEIGHT(g)
GH-12265	U-BAR, FLANGED BASE, STRAIGHT HANDLE	635
GH-12270	U-BAR, STRAIGHT BASE, STRAIGHT HANDLE	635

GH-101-EL

WEIGHT(自重) : 742g

HOLDING CAPACITY(夹持力) :

360kg

SPINDLE SUPPLIED(压头螺丝型号) :

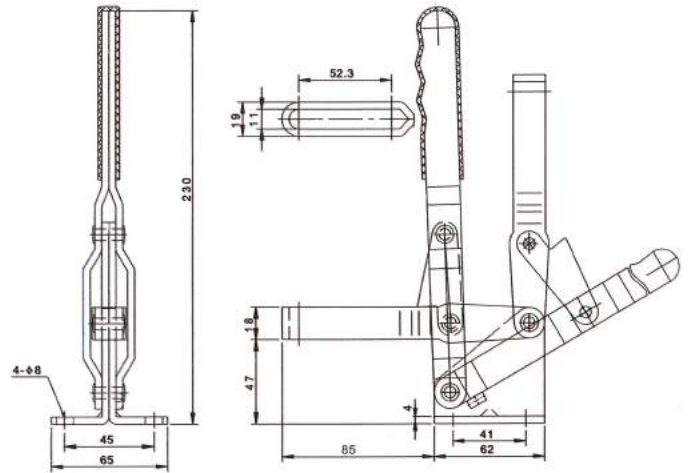
M10×80

BAR OPENS(压把开启角度) : 90°

HANDLE OPENS(手柄开启角度) : 60°



GH-101-EL



GH-10444 THRU GH-10448

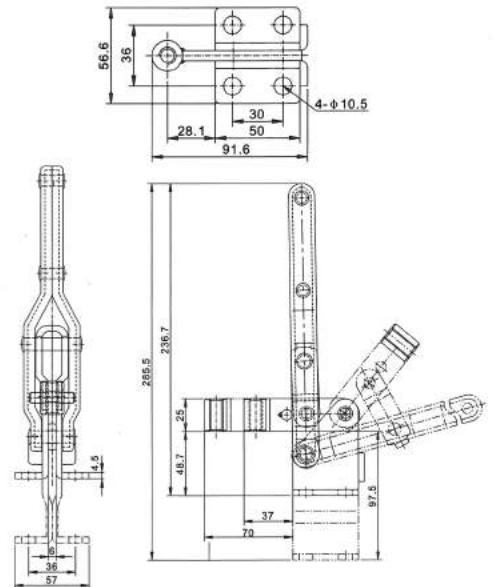
HOLDING CAPACITY(夹持力) : 400kg

SPINDLE SUPPLIED(压头螺丝型号) :

GH-SA-38200

BAR OPENS(压把开启角度) : 129°

HANDLE OPENS(手柄开启角度) : 75.5°



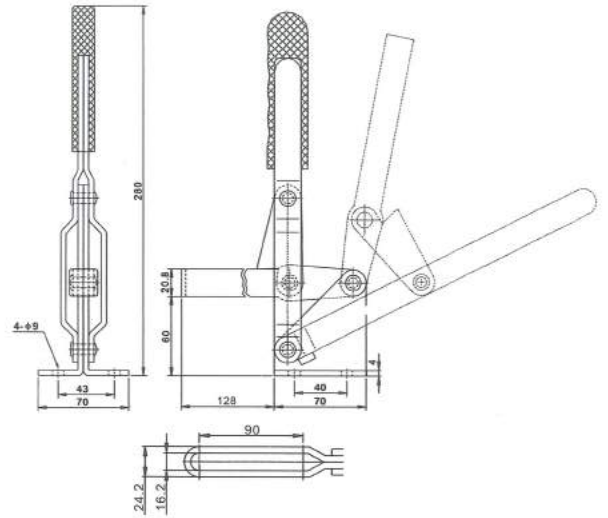
MODEL	DESCRIPTION
GH-10444	LONG BAR, FLANGED BASE
GH-10448-Z	SHORT BAR, FLANGED BASE
GH-10448-ZH	SHORT BAR, HIGH FLANGED BASE

GH-101-H

WEIGHT(自重) : 1103g
 HOLDING CAPACITY(夹持力) : 450kg
 SPINDLE SUPPLIED(压头螺丝型号) :
 M12×80
 BAR OPENS(压把开启角度) : 101°
 HANDLE OPENS(手柄开启角度) : 63°



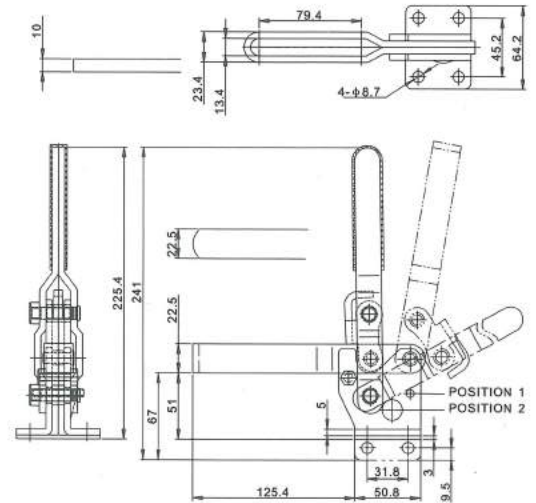
GH-101-H



GH-10247

Hardened bushings Removable ground pins.
 (产品转动关键部位装有耐磨套)

WEIGHT(自重) : 1218g
 HOLDING CAPACITY(夹持力) : 450kg
 SPINDLE SUPPLIED(压头螺丝型号) :
 M12×80
 BAR OPENS(压把开启角度) : 100°-135°
 HANDLE OPENS(手柄开启角度) :
 58°-70°

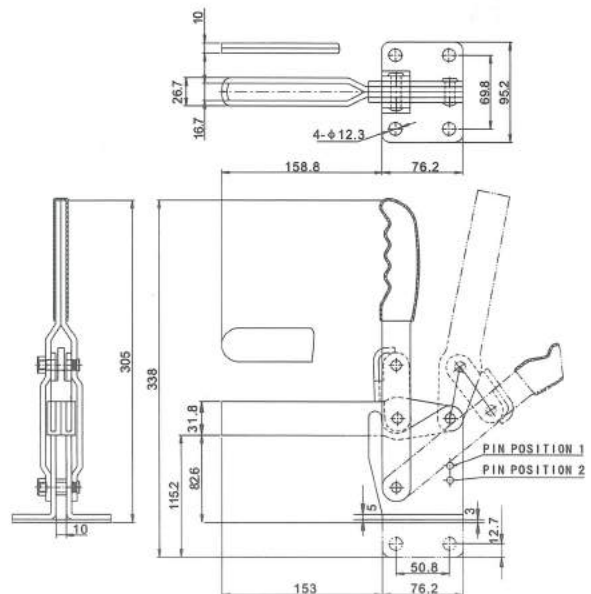


MODEL	DESCRIPTION
GH-10247	U-BAR, FLANGED BASE
GH-10248	U-BAR, STRAIGHT BASE

GH-101-J

Hardened bushings Removable ground pins.
 (产品转动关键部位装有耐磨套)

WEIGHT(自重) : 2540g
 HOLDING CAPACITY(夹持力) : 550kg
 SPINDLE SUPPLIED(压头螺丝型号) :
 M12×80
 BAR OPENS(压把开启角度) : 100-140°
 HANDLE OPENS(手柄开启角度) : 48-60°



MODEL	DESCRIPTION
GH-101-J	U-BAR, FLANGED BASE
GH-101-JS	SOLID BAR, FLANGED BASE

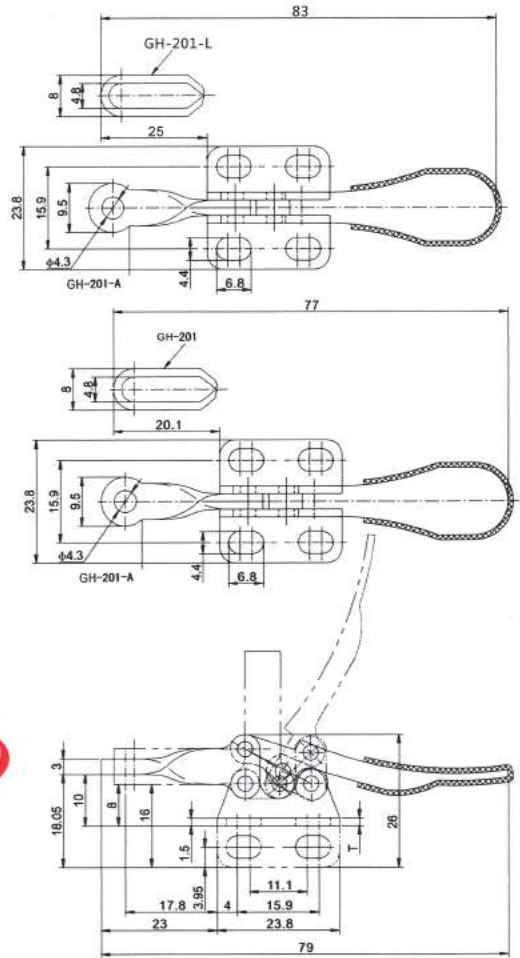
GH-201 THRU GH-201-A

HOLDING CAPACITY(夹持力) : 27kg

SPINDLE SUPPLIED(压头螺丝型号) : M4×27

BAR OPENS(压把开启角度) : 90°

HANDLE OPENS(手柄开启角度) : 80°



MODEL	DESCRIPTION	WEIGHT(g)	T
GH-201-A	SHORT BAR, FLANGED BASE	28	1.5
GH-201-AI	SHORT BAR, STRAIGHT BASE	28	1.5
GH-201	U-BAR, FLANGED BASE	31	1.5
GH-201-I	U-BAR, STRAIGHT BASE	31	1.5
GH-201-L	U-BAR, LEFT HAND FLANGED BASE	31	1.5
GH-201-SS	STAINLESS STEEL		
GH-201-ASS	STAINLESS STEEL		

GH-20400

WEIGHT(自重) : 32.6g

HOLDING CAPACITY(夹持力) : 20kg

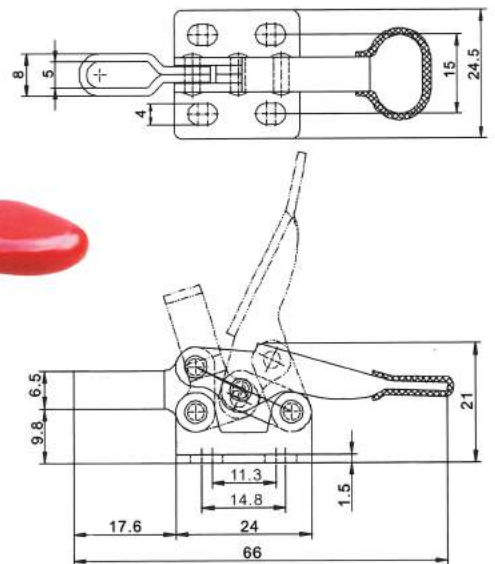
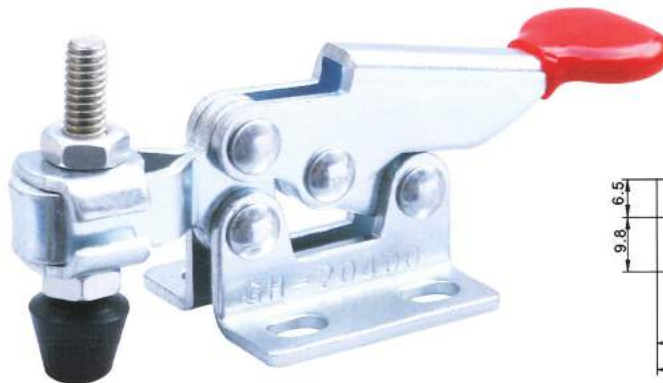
SPINDLE SUPPLIED(压头螺丝型号) :

M4×27

BAR OPENS(压把开启角度) : 55°

HANDLE OPENS(手柄开启角度) :

60°



GH-20800 AND GH-21800

WEIGHT(自重) : 42g

HOLDING CAPACITY(夹持力) : 30kg

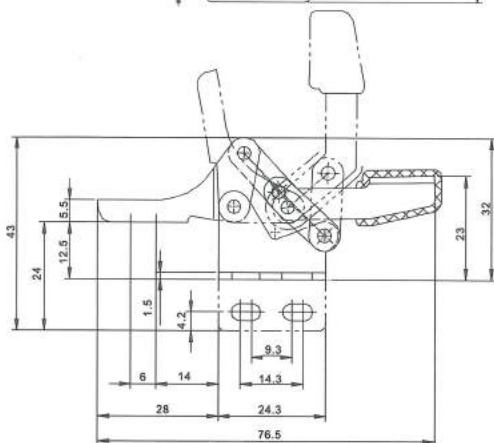
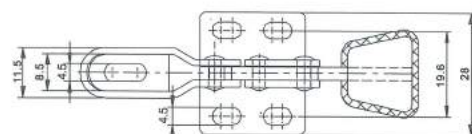
SPINDLE SUPPLIED(压头螺丝型号) : M4×25

BAR OPENS(压把开启角度) : 80°

HANDLE OPENS(手柄开启角度) : 88°



MODEL	DESCRIPTION
GH-20800	FLANGED BASE
GH-21800	STRAIGHT BASE
GH-20800-SS	STAINLESS STEEL



GH-20300

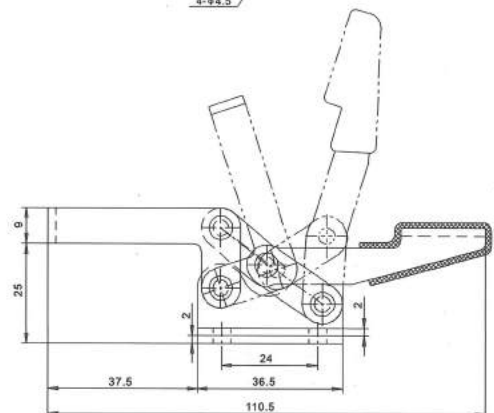
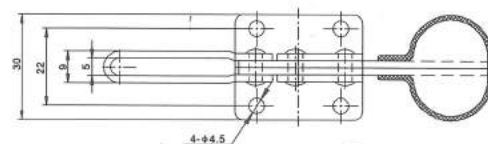
WEIGHT(自重) : 99.6g

HOLDING CAPACITY(夹持力) : 30kg

SPINDLE SUPPLIED(压头螺丝型号) : M4×40

BAR OPENS(压把开启角度) : 65°

HANDLE OPENS(手柄开启角度) : 55°



GH-20100

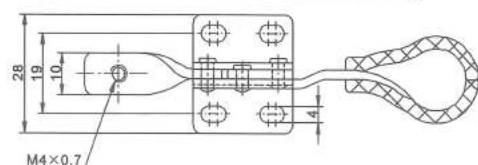
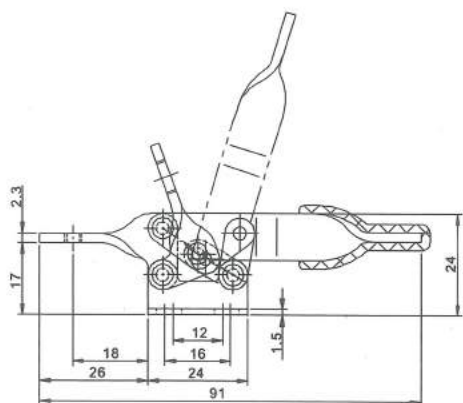
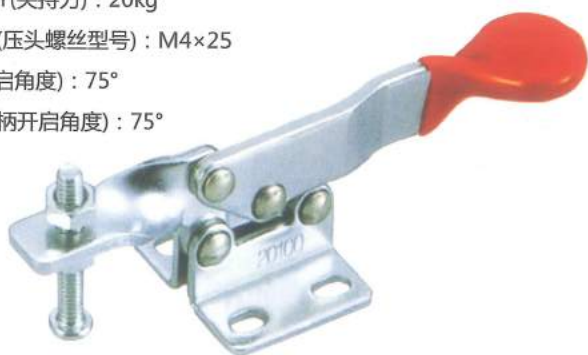
WEIGHT(自重) : 35g

HOLDING CAPACITY(夹持力) : 20kg

SPINDLE SUPPLIED(压头螺丝型号) : M4×25

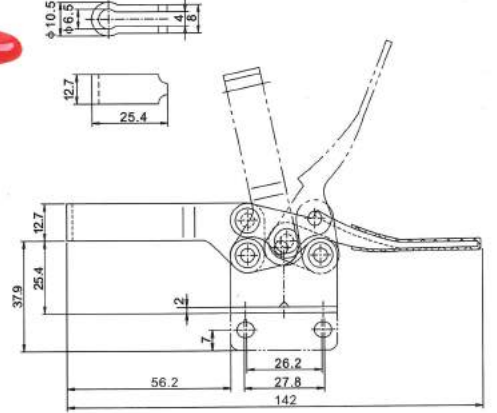
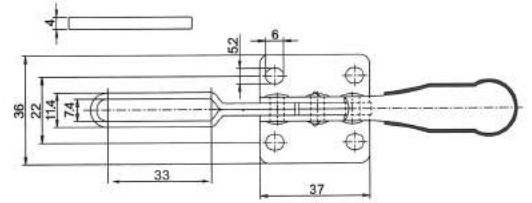
BAR OPENS(压把开启角度) : 75°

HANDLE OPENS(手柄开启角度) : 75°



GH-201-B THRU GH-201-BSS

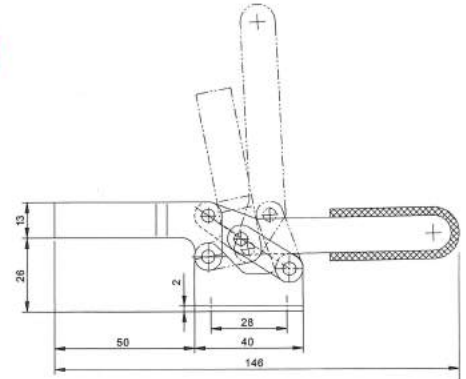
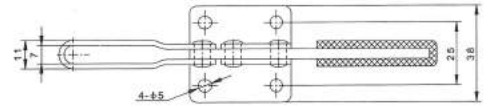
WEIGHT(自重) : 123g
 HOLDING CAPACITY(夹持力) : 90kg
 SPINDLE SUPPLIED(压头螺丝型号) :
 M6×45
 BAR OPENS(压把开启角度) : 85°
 HANDLE OPENS(手柄开启角度) :
 60°



MODEL	DESCRIPTION
GH-201-B	U-BAR, FLANGED BASE
GH-201-BI	U-BAR, STRAIGHT BASE
GH-201-BS	SHORT BAR, FLANGED BASE
GH-201-BSI	SHORT BAR, STRAIGHT BASE
GH-201-BSS	STAINLESS STEEL

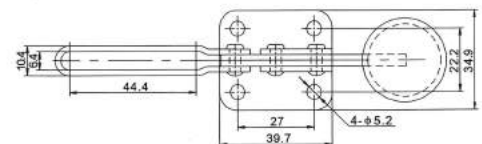
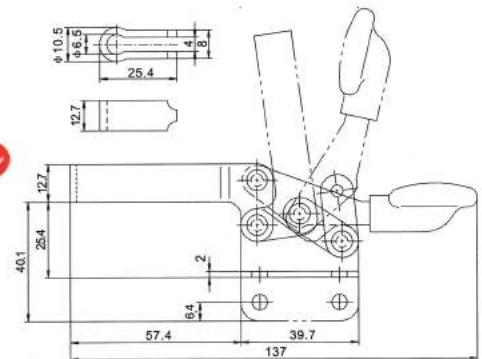
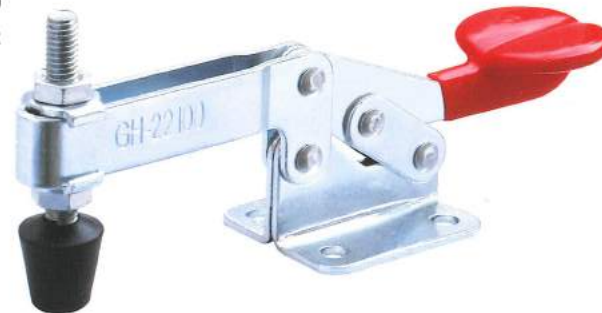
GH-201-C

WEIGHT(自重) : 133.4g
 HOLDING CAPACITY(夹持力) : 182kg
 SPINDLE SUPPLIED(压头螺丝型号) :
 M6×45
 BAR OPENS(压把开启角度) : 79°
 HANDLE OPENS(手柄开启角度) :
 92°



GH-22100

WEIGHT(自重) : 124g
 HOLDING CAPACITY(夹持力) : 68kg
 SPINDLE SUPPLIED(压头螺丝型号) :
 M6×45
 BAR OPENS(压把开启角度) : 90°
 HANDLE OPENS(手柄开启角度) :
 60°



MODEL	DESCRIPTION
GH-22100	U-BAR, FLANGED BASE
GH-22105	U-BAR, STRAIGHT BASE

GH-20752-B

WEIGHT(自重) : 88g

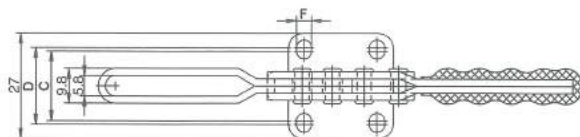
GH-24502-B has

Hardened bushings Removable ground pins ·

(在转动关键部位装有耐磨套)

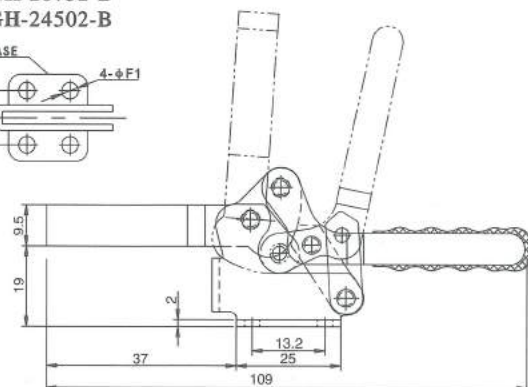
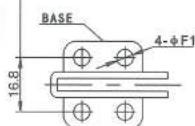
SPINDLE SUPPLIED(压头螺丝型号) :

M6×45



GH-20752-B

GH-24502-B



GH-225-D THRU GH-225-DI

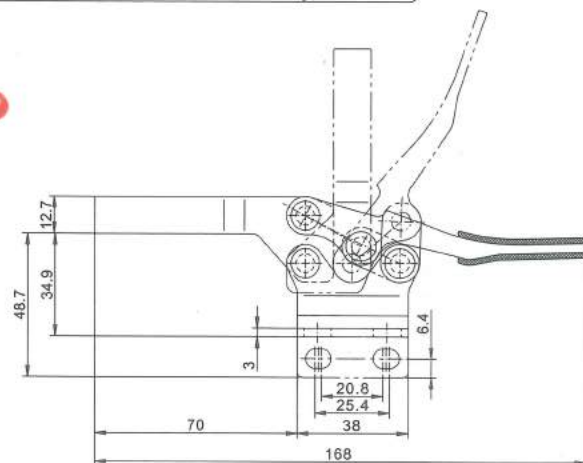
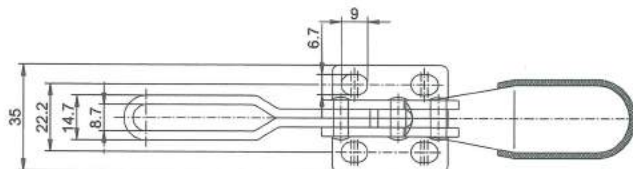
WEIGHT(自重) : 234g

HOLDING CAPACITY(夹持力) : 227kg

SPINDLE SUPPLIED(压头螺丝型号) : M8×50

BAR OPENS(压把开启角度) : 90°

HANDLE OPENS(手柄开启角度) : 65°



MODEL	DESCRIPTION
GH-225-D	U-BAR, FLANGED BASE
GH-225-DI	U-BAR, STRAIGHT BASE
GH-225-DSS	STAINLESS STEEL

GH-225-DHB

WEIGHT(自重) : 234g

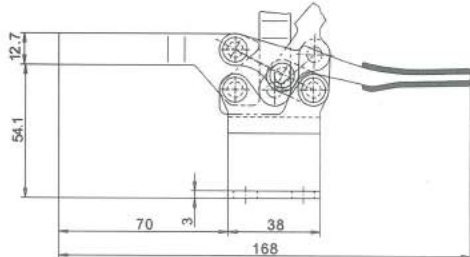
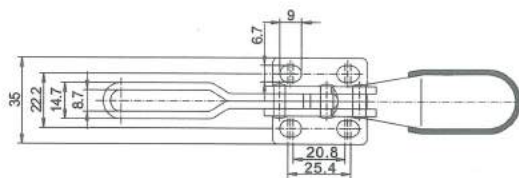
HOLDING CAPACITY(夹持力) : 227kg

SPINDLE SUPPLIED(压头螺丝型号) : M8×60

BAR OPENS(压把开启角度) : 90°

HANDLE OPENS

(手柄开启角度) : 65°



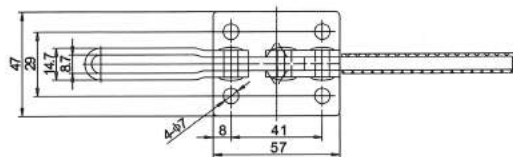
GH-203-F GH-202-F GH-203-FL GH-202-FL GH-203-P

HOLDING CAPACITY(夹持力) : 227kg

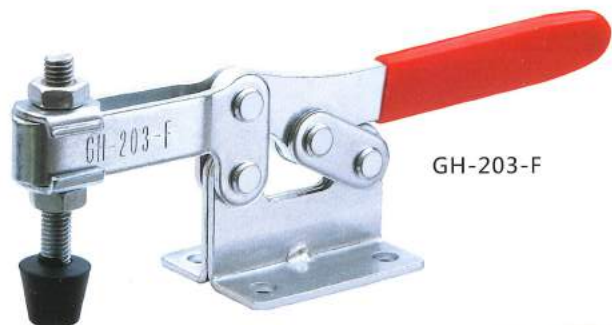
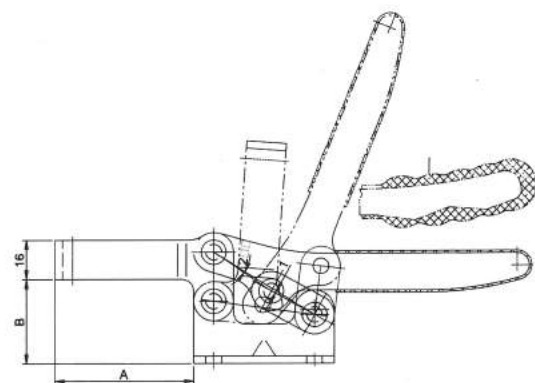
SPINDLE SUPPLIED(压头螺丝型号) : M8×60

BAR OPENS(压把开启角度) : 85°

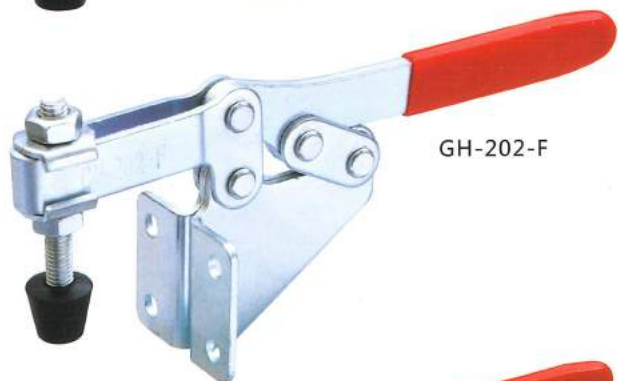
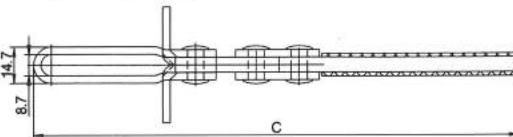
HANDLE OPENS(手柄开启角度) : 58°



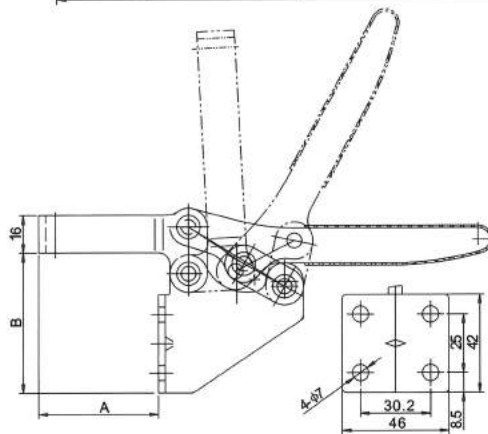
GH-203-P



GH-203-F



GH-202-F



GH-202-FL

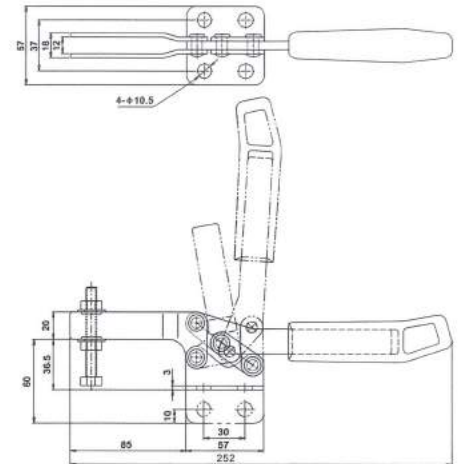
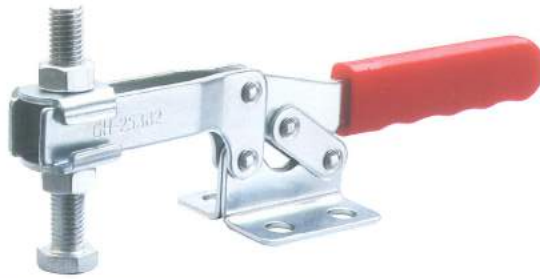


GH-203-FL

MODEL	DESCRIPTION	WEIGHT(g)	A	B	C
GH-203-F	U-BAR, FLANGED BASE	353	57	34.4	193
GH-203-FL	LONGU-BAR, FLANGED BASE	375	94	34.4	230
GH-202-F	U-BAR, STRAIGHT BASE	372	52	60	193
GH-202-FL	LONGU-BAR, SIDEMOUNTED	400	89	60	230
GH-203-P	U-BAR, FLANGED BASE, LONGHANDLE	370	57	39.3	215

GH-25382 AND GH-21382

WEIGHT(自重) : 510g
 HOLDING CAPACITY(夹持力) : 280kg
 SPINDLE SUPPLIED(压头螺丝型号) :
 M10×80
 BAR OPENS(压把开启角度) : 80°
 HANDLE OPENS
 (手柄开启角度) : 80°

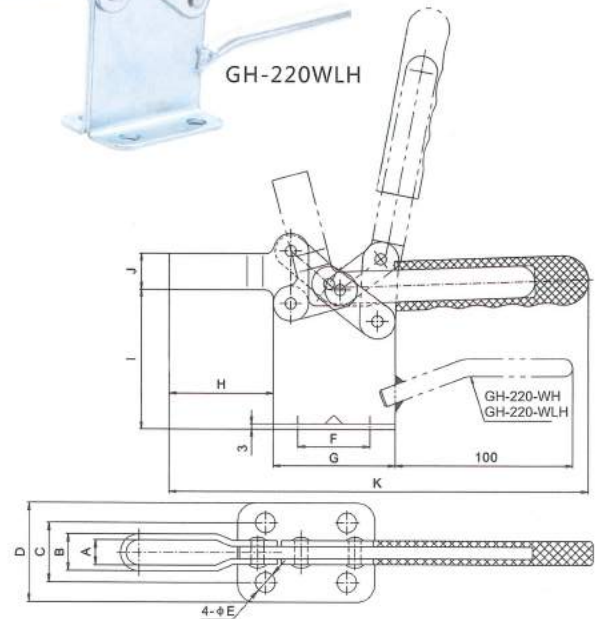


MODEL	DESCRIPTION
GH-25382	FLANGED BASE
GH-26382	STRAIGHT BASE

GH-200-W THRU GH-220-WLH

M10×80

M10×100



MODEL	WEIGHT(g)	HOLDING CAPACITY(kg)	SPINDLE SUPPLIED	BAR OPENS	HANDLE OPENS	A	B	C	D	φE	F	G	H	I	J	K			
GH-200-W	550	400	GH-FC-38312	75°	77°	12.6	19	30	50	10	42	70	60	54	20.5	240			
GH-200-WL	600					12.6	19	30	50	10	42	70	110	54	20.5	290			
GH-200-WH	600					12.6	19	30	50	10	42	70	60	79	20.5	240			
GH-200-WLH	740					12.6	19	30	50	10	42	70	110	79	20.5	290			
GH-220-WH	676		12.6			GH-FC-38412	75°	77°	12.6	19	30	50	10	42	70	60	79	20.5	240
GH-220-WLH	720		12.6						19	30	50	10	42	70	110	79	20.5	290	

GH-20235 THRU GH-20236

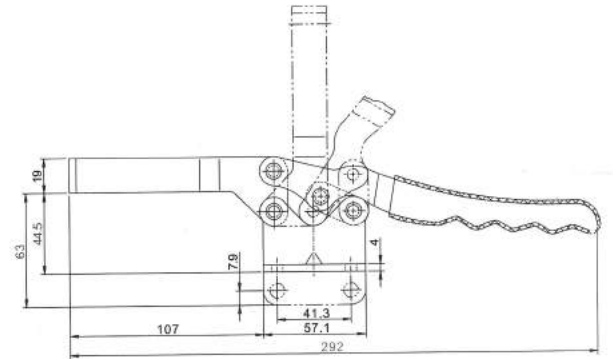
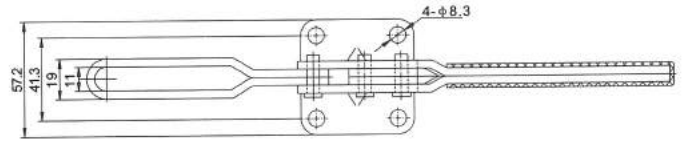
WEIGHT(自重) : 570g

HOLDING CAPACITY(夹持力) : 340kg

SPINDLE SUPPLIED(压头螺丝型号) : M10×80

BAR OPENS(压把开启角度) : 85°

HANDLE OPENS(手柄开启角度) : 50°



MODEL	DESCRIPTION
GH-20235	U-BAR, FLANGED BASE
GH-20236	U-BAR, STRAIGHT BASE
GH-20235-SS	STAINLESS STEEL

GH-204-GB GH-204-GBL GH-204-GBLH

HOLDING CAPACITY(夹持力) : 630kg

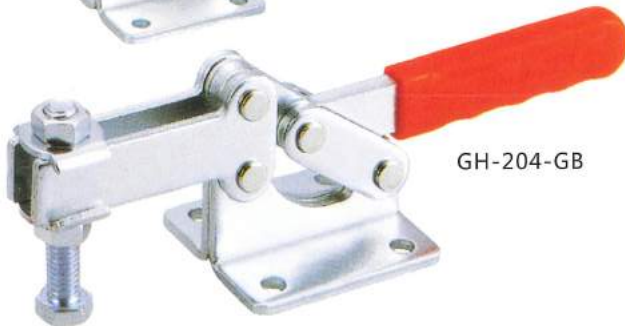
SPINDLE SUPPLIED(压头螺丝型号) : M12×80

BAR OPENS(压把开启角度) : 90°

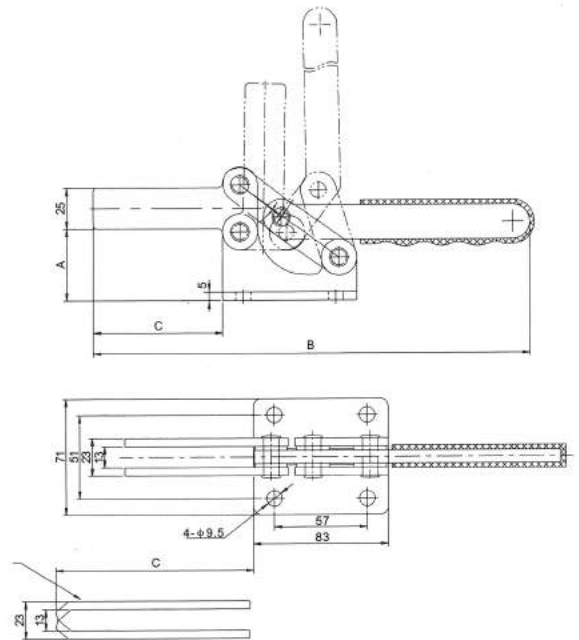
HANDLE OPENS(手柄开启角度) : 94°



GH-204-GBLH



GH-204-GB



MODEL	DESCRIPTION	WEIGHT(g)	A	B	C
GH-204-GB	SHORTBAR , LOWBASE	1180	45	269	80
GH-204-GBL	LONG BAR , LOWBASE	1260	45	316	128
GH-204-GBLH	LONG BAR , HIGHBASE	1465	71	316	128

GH-204-G GH-204-GL

*Heavy Duty

*Can be Mounted to any Fixture Using the 4 Hole Bolt Pattern or to Any T-Slot Table with T-Slot Bolt. 安装方便, 适用于螺栓, T型槽和T型螺栓安装等。

*Supplied with bushings

*Hardened ground pivots 在产品转动关键部位装有耐磨套

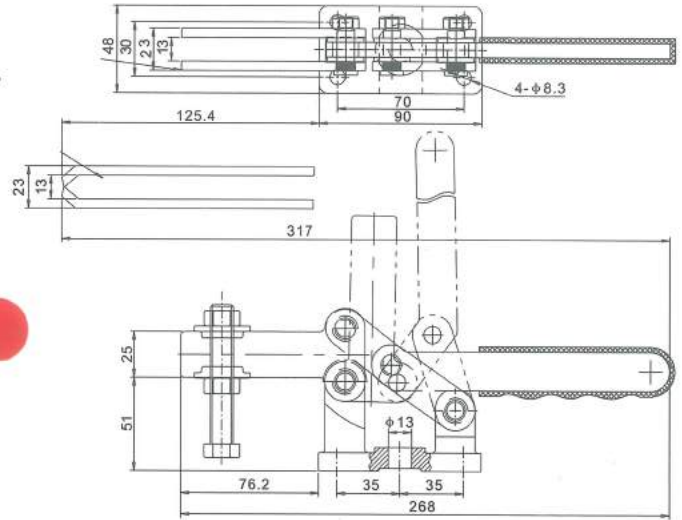
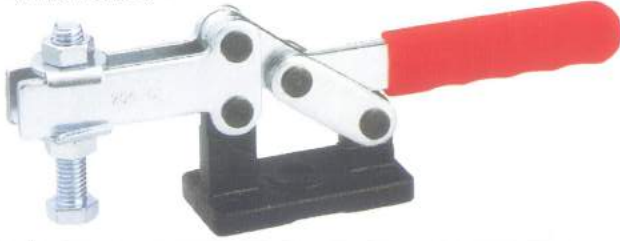
WEIGHT(自重) : 1220g

HOLDING CAPACITY(夹持力) : 636kg

SPINDLE SUPPLIED(压头螺丝型号) : M12×70

BAR OPENS(压把开启角度) : 91°

HANDLE OPENS(手柄开启角度) : 94°



MODEL	DESCRIPTION
GH-204-G	OPENBAR, DUCTILEIRONBASE
GH-204-GL	LONG OPENBAR, DUCTILEIRONBASE

GH-22185

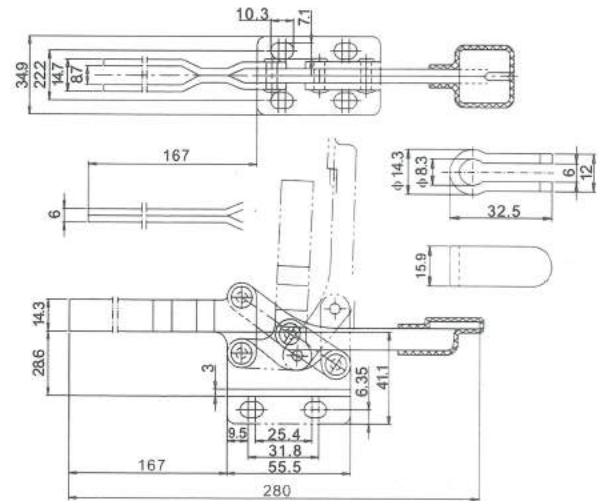
WEIGHT(自重) : 360g

HOLDING CAPACITY(夹持力) : 250kg

SPINDLE SUPPLIED(压头螺丝型号) : M8×60

BAR OPENS(压把开启角度) : 96°

HANDLE OPENS(手柄开启角度) : 88°



GH-25383

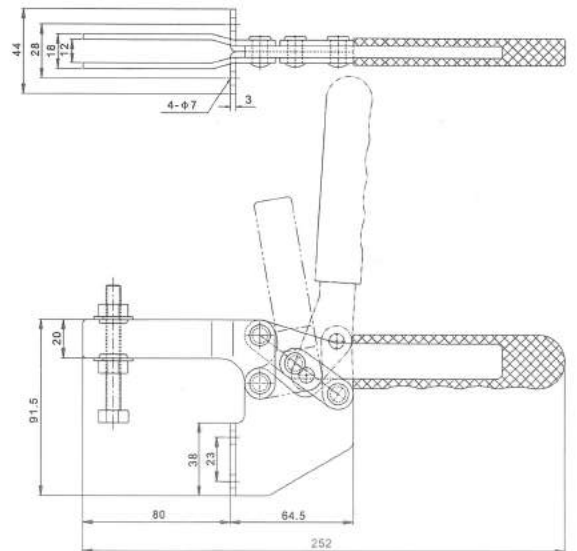
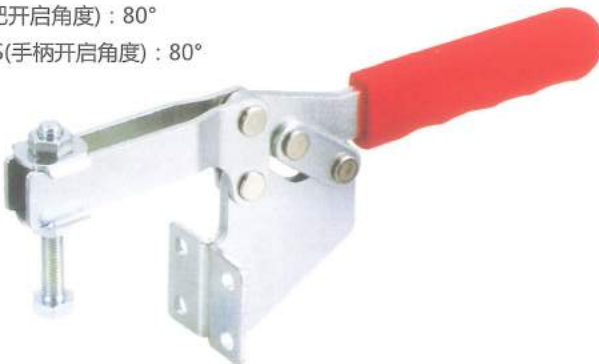
WEIGHT(自重) : 530g

HOLDING CAPACITY(夹持力) : 280kg

SPINDLE SUPPLIED(压头螺丝型号) : M8×50

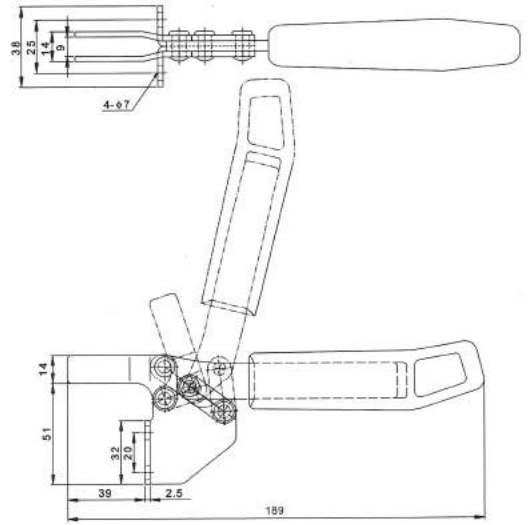
BAR OPENS(压把开启角度) : 80°

HANDLE OPENS(手柄开启角度) : 80°



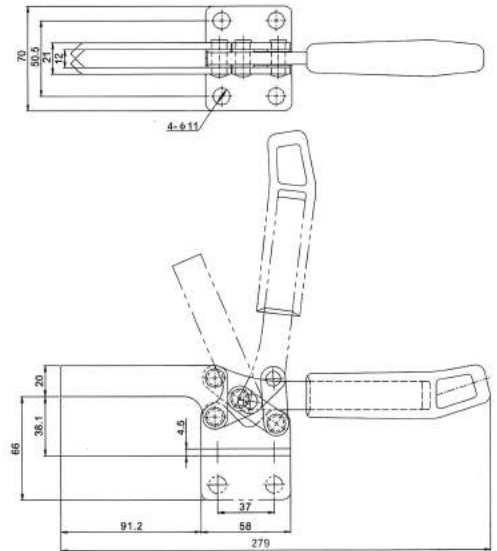
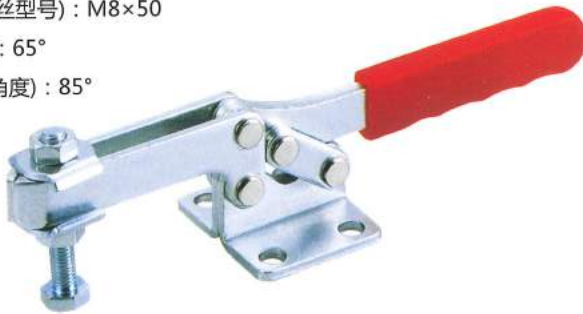
GH-21383

WEIGHT(自重) : 250g
 HOLDING CAPACITY(夹持力) : 250kg
 SPINDLE SUPPLIED(压头螺丝型号) : M8×50
 BAR OPENS(压把开启角度):72°
 HANDLE OPENS(手柄开启角度) : 72°



GH-21384

WEIGHT(自重) : 750g
 HOLDING CAPACITY(夹持力) : 500kg
 SPINDLE SUPPLIED(压头螺丝型号) : M8×50
 BAR OPENS(压把开启角度) : 65°
 HANDLE OPENS(手柄开启角度) : 85°



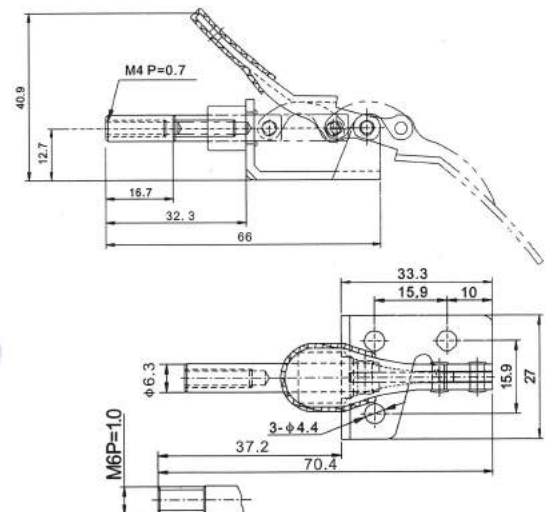
GH-301-AM AND GH-301-BM

WEIGHT(自重) : 43g
 HOLDING CAPACITY(夹持力) : 45kg
 SPINDLE SUPPLIED(压头螺丝型号) : M4×20
 HANDLE OPENS(手柄开启角度) : 190°
 PLUNGER STROKE(行程) : 16mm



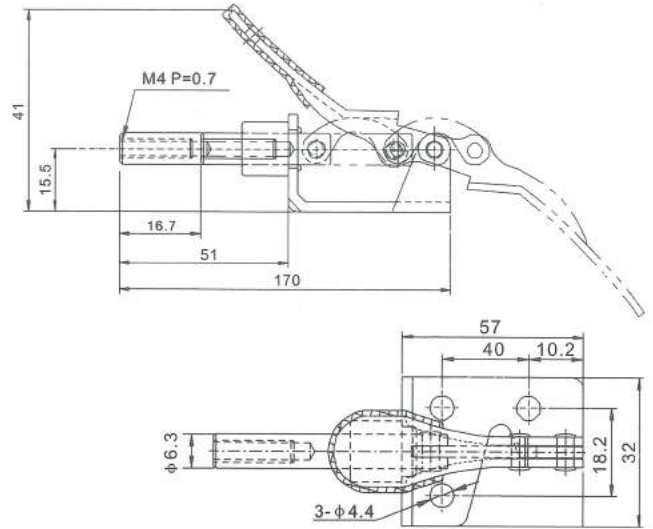
GH-301-AM

GH-301-B



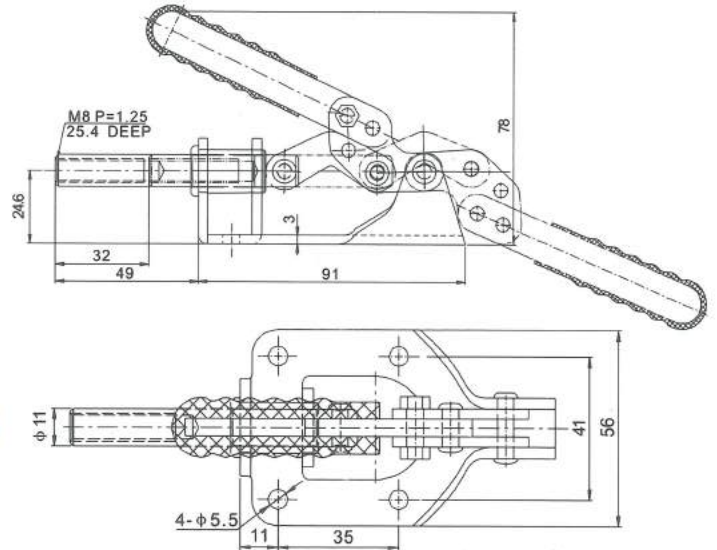
GH-301-AL

WEIGHT(自重) : 73g
 HOLDING CAPACITY(夹持力) : 90kg
 SPINDLE SUPPLIED(压头螺丝型号) :
 M4×20
 HANDLE OPENS(手柄开启角度) : 190°
 PLUNGER STROKE(行程) : 30mm
 GH-301-AMSS



GH-302-FM AND GH-302-FMSS

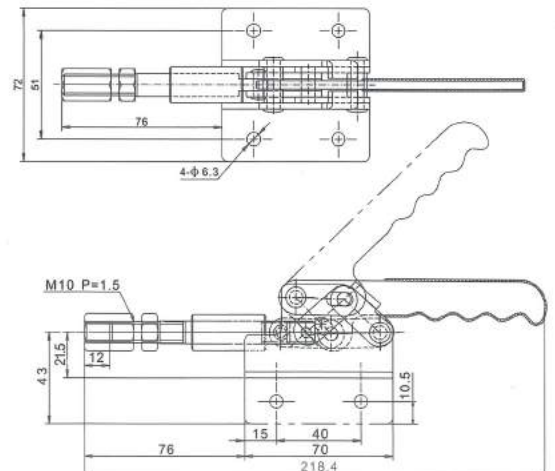
WEIGHT(自重) : 290g
 HOLDING CAPACITY(夹持力) : 136kg
 SPINDLE SUPPLIED(压头螺丝型号) : M8×30
 HANDLE OPENS(手柄开启角度) : 180°
 PLUNGER STROKE(行程) : 32mm



GH-302-DM

*Plunger locks in Extended Position Only.手柄下压为锁紧状态。

WEIGHT(自重) : 444g
 HOLDING CAPACITY(夹持力) : 160kg
 HANDLE OPENS(手柄开启角度) : 45°
 PLUNGER STROKE(行程) : 12mm



MODEL	DESCRIPTION
GH-302-DM	FLANGED BASE
GH-302-DMSS	STAINLESS STEEL

GH-36020

*GH-36020-K has a key way to keep the Plunger form rotating.

(GH-36020-K导筒上装有一个键，防止顶轴转动)

WEIGHT(自重) : 335.4g

HOLDING CAPACITY(夹持力) : 180kg

SPINDLE SUPPLIED(压头螺丝型号) :

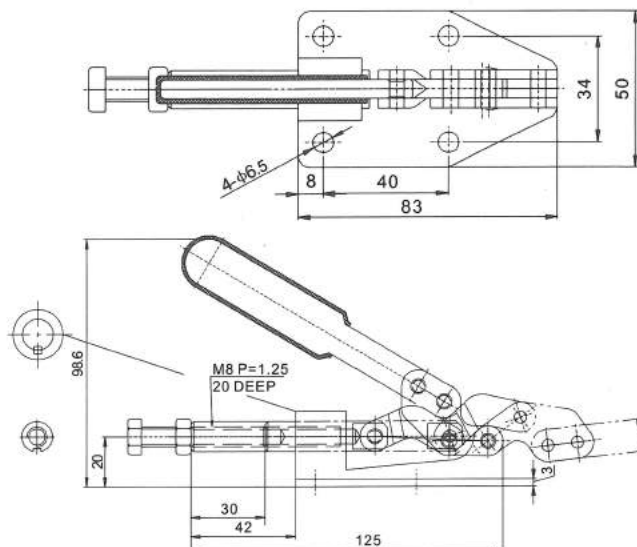
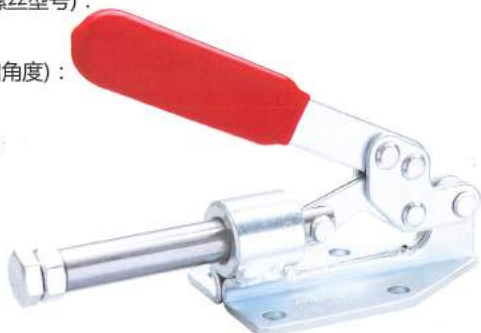
M8×30

HANDLE OPENS(手柄开启角度) :

144.5°

PLUNGER STROKE(行程) :

30mm



GH-303-EM

*GH-36020-K has a key way to keep the Plunger form rotating.

(GH-36020-K导筒上装有一个键，防止顶轴转动)

WEIGHT(自重) : 822g

HOLDING CAPACITY(夹持力) :

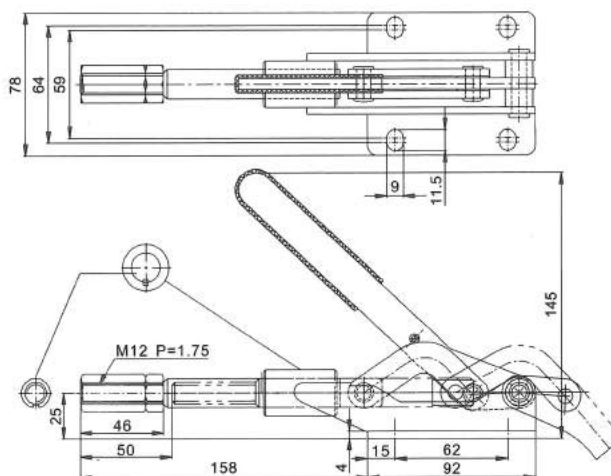
454kg

HANDLE OPENS(手柄开启角度) :

190°

PLUNGER STROKE(行程) :

50mm



GH-305-EL

*GH-36020-K has a key way to keep the Plunger form rotating.

(GH-36020-K导筒上装有一个键，防止顶轴转动)

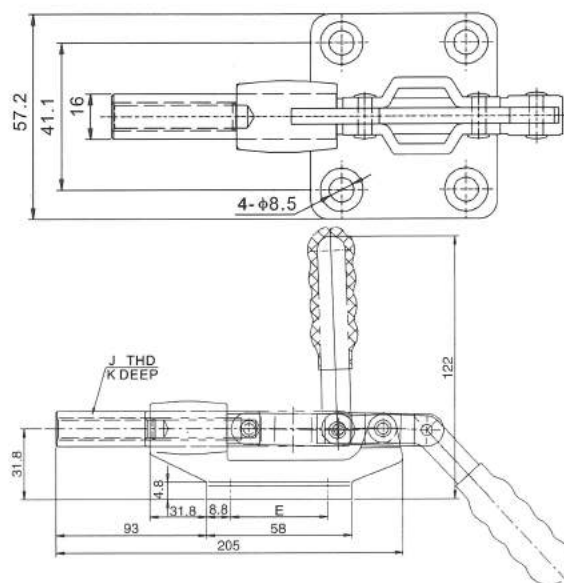
WEIGHT(自重) : 712g

HOLDING CAPACITY(夹持力) : 550kg

SPINDLE SUPPLIED(压头螺丝型号) : M10×30

HANDLE OPENS(手柄开启角度) : 190°

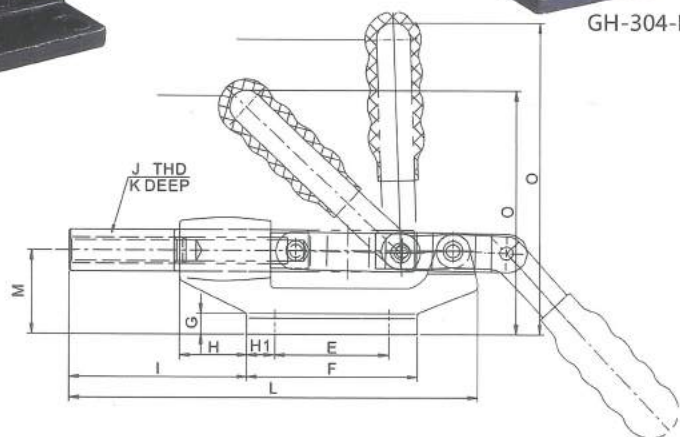
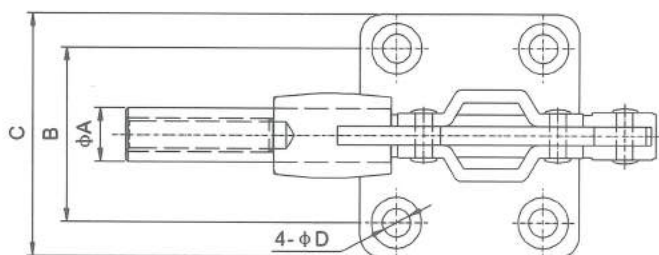
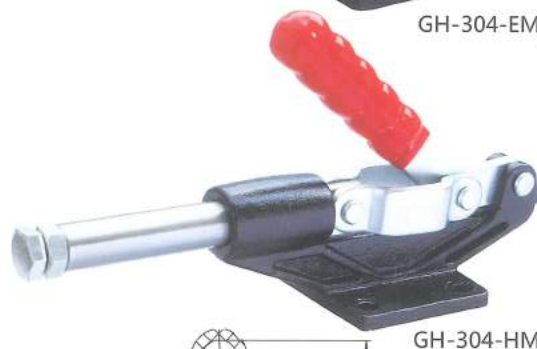
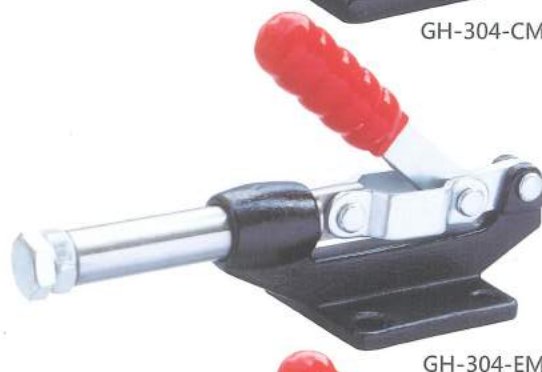
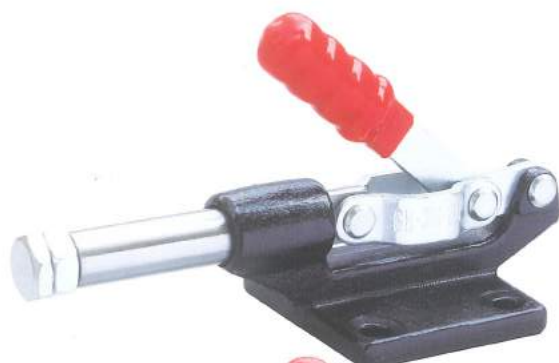
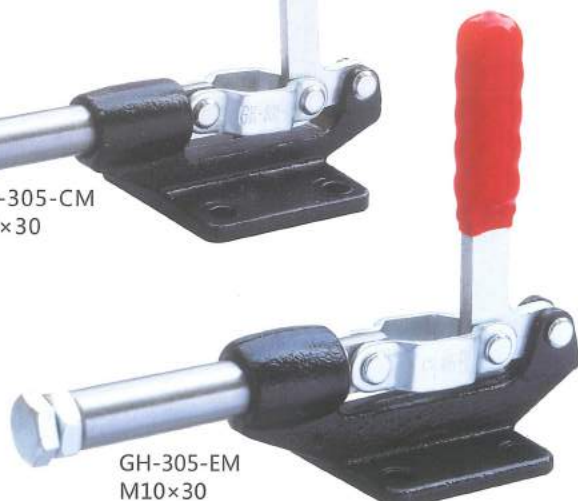
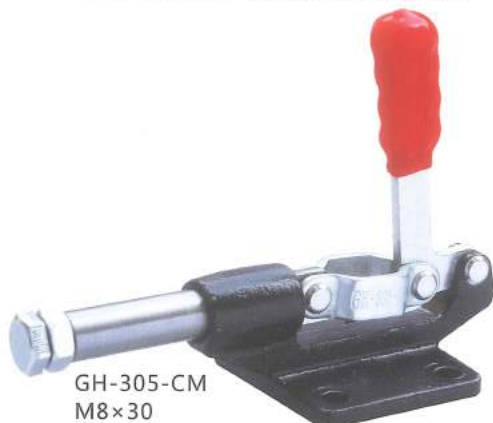
PLUNGER STROKE(行程) : 61mm



GH-304-CM AND GH-305-CM GH-304-EM AND GH-305-EM GH-304-HM AND GH-305-HM

*Ductiles iron base 底座为铸钢

*GH-304-HM and GH-305-HM have bushings and rem-ovable hardened ground pins 手柄销轴孔装有耐磨套



MODEL	WEIGHT(g)	HOLDING CAPACITY(kg)	SPINDLE SUPPLIED	φA	B	C	φD	E	F	G	H	H1	I	J	K	L	M	O	PLUNGER STROKE
GH-304-CM	340	227	GH-SA-085012	12.7	41.1	57.2	6.7	35	52.4	4.8	20.6	8.7	54.8	M8P=1.25	30.2	125.7	25.4	74.2	32
GH-305-CM	340	227		12.7	41.1	57.2	6.7	35	52.4	4.8	20.6	8.7	54.8	M8P=1.25	30.2	125.7	25.4	94.8	
GH-304-EM	558	386	GH-SA-105015	16	41.1	57.2	8.3	41.1	58.8	4.8	31.8	8.8	76	M10P=1.5	39.2	158.2	31.8	93.5	42
GH-305-EM	558	386		16	41.1	57.2	8.3	41.1	58.8	4.8	31.8	8.8	76	M10P=1.5	39.2	158.2	31.8	119.5	
GH-304-HM	1350	680	GH-SA-125017	19.2	50.8	71.4	8.3	50.8	73.2	6.4	50.8	11.1	119.8	M12P=1.75	49.2	235	44.4	133.5	60
GH-305-HM	1350	680		19.2	50.8	71.4	8.3	50.8	73.2	6.4	50.8	11.1	119.8	M12P=1.75	49.2	235	44.4	171.6	
GH-304-EMSS																			

GH-36330M

*Forged alloy steel base(底座为锻造合金钢)

WEIGHT(自重) : 993g

HOLDING CAPACITY(夹持力) : 1136kg

SPINDLE SUPPLIED(压头螺丝型号) :

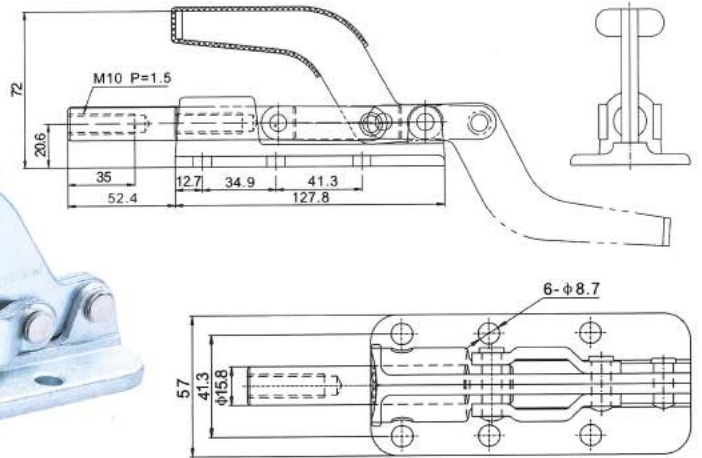
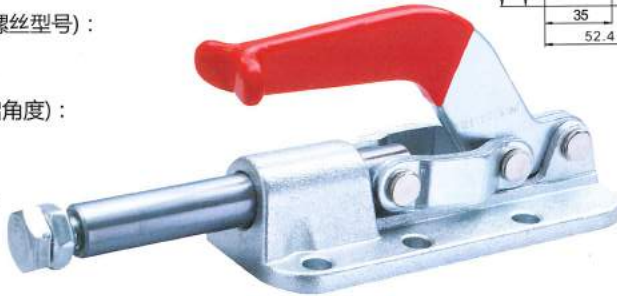
M10×30

HANDLE OPENS(手柄开启角度) :

180°

PLUNGER STROKE(行程) :

50.8mm



GH-36080 AND GH-36080C

*Forged alloy steel base(底座为锻造合金钢)

WEIGHT(自重) : 1248g

HOLDING CAPACITY(夹持力) : 580kg

SPINDLE SUPPLIED(压头螺丝型号) :

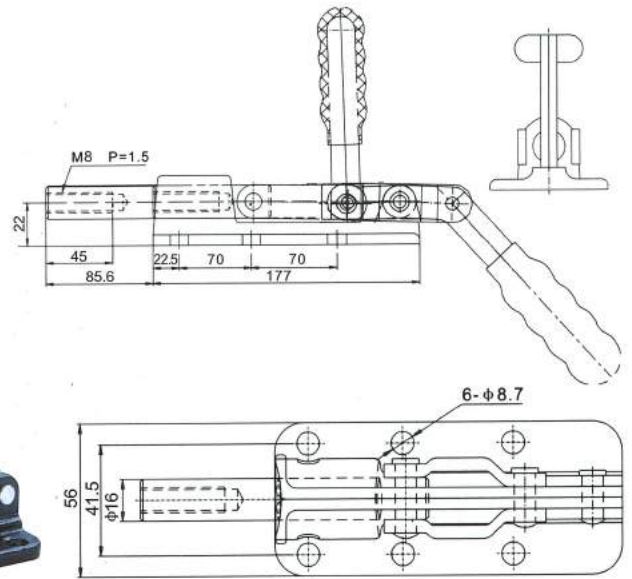
M8×30

HANDLE OPENS(手柄开启角度) :

180°

PLUNGER STROKE(行程) :

80mm



GH-36330LL

*Forged alloy steel base(底座为锻造合金钢)

WEIGHT(自重) : 2744g

HOLDING CAPACITY(夹持力) : 680kg

SPINDLE SUPPLIED(压头螺丝型号) :

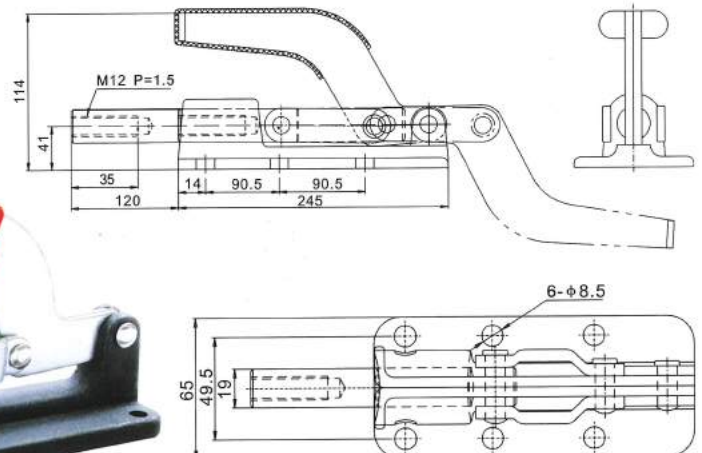
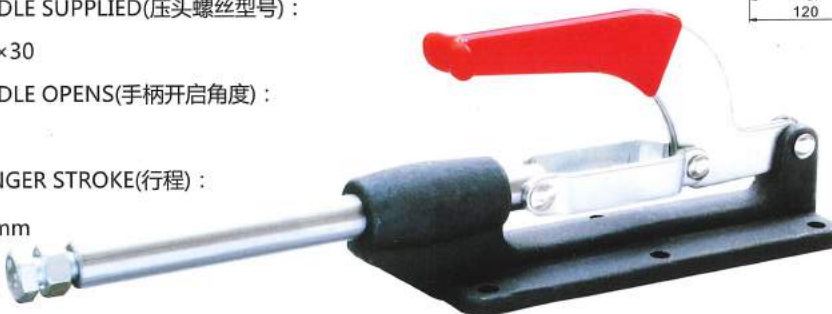
M10×30

HANDLE OPENS(手柄开启角度) :

180°

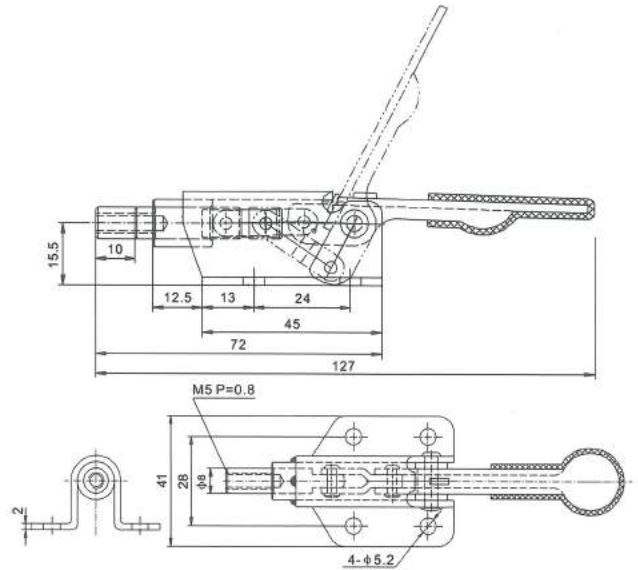
PLUNGER STROKE(行程) :

120mm



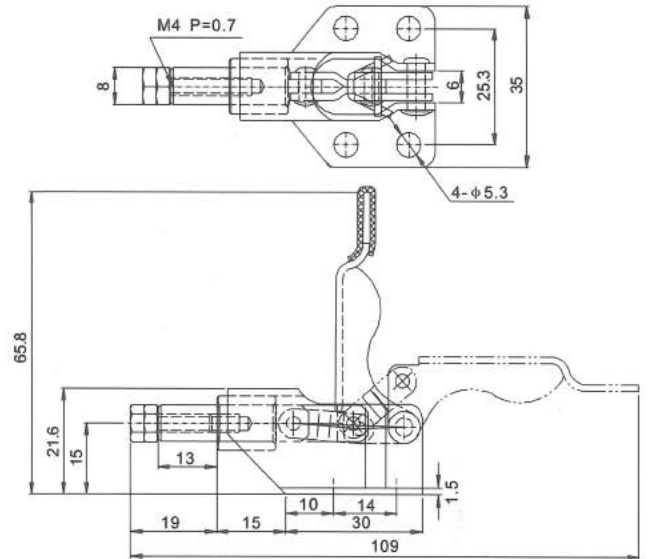
GH-36070

WEIGHT(自重) : 97g
 HOLDING CAPACITY(夹持力) : 50kg
 SPINDLE SUPPLIED(压头螺丝型号) :
 M5×16
 HANDLE OPENS(手柄开启角度) : 66°
 PLUNGER STROKE(行程) : 10mm



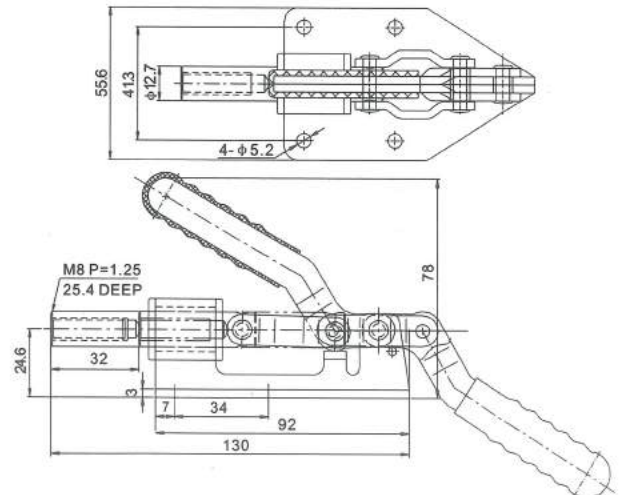
GH-36006

WEIGHT(自重) : 58g
 HOLDING CAPACITY(夹持力) : 50kg
 SPINDLE SUPPLIED(压头螺丝型号) :
 M4×15
 HANDLE OPENS(手柄开启角度) : 93°
 PLUNGER STROKE(行程) : 13mm



GH-36092M AND GH-36092MSS

WEIGHT(自重) : 397g
 HOLDING CAPACITY(夹持力) : 180kg
 SPINDLE SUPPLIED(压头螺丝型号) :
 M8×30
 HANDLE OPENS(手柄开启角度) : 180°
 PLUNGER STROKE(行程) : 32mm



GH-36003M

*Forged alloy steel base(底座为锻造合金钢)

WEIGHT(自重) : 390g

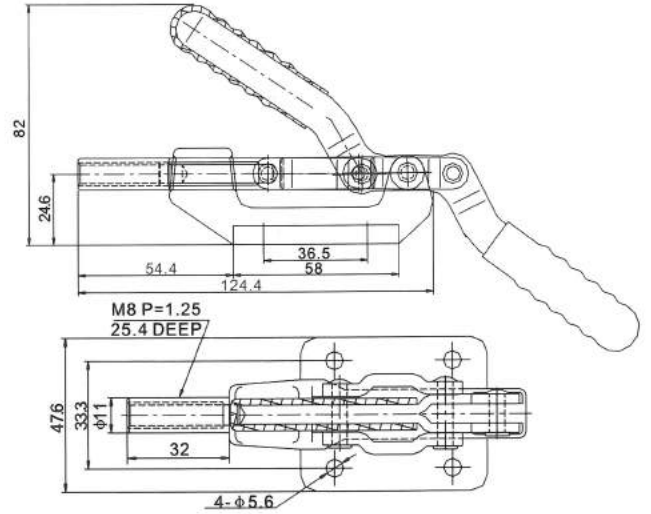
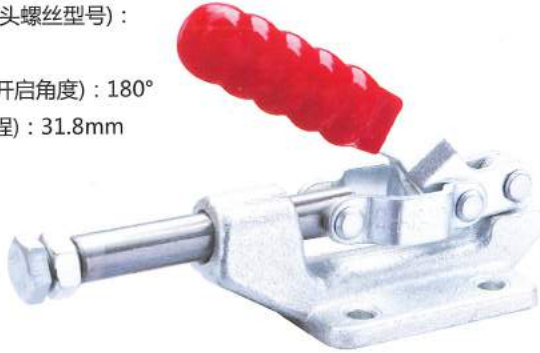
HOLDING CAPACITY(夹持力) : 272kg

SPINDLE SUPPLIED(压头螺丝型号) :

M8×30

HANDLE OPENS(手柄开启角度) : 180°

PLUNGER STROKE(行程) : 31.8mm



GH-36010M AND GH-36012M

WEIGHT(自重) : 800g

HOLDING CAPACITY(夹持力) : 364kg

SPINDLE SUPPLIED(压头螺丝型号) :

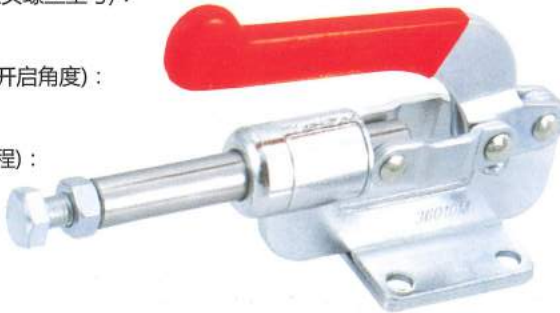
M10×50

HANDLE OPENS(手柄开启角度) :

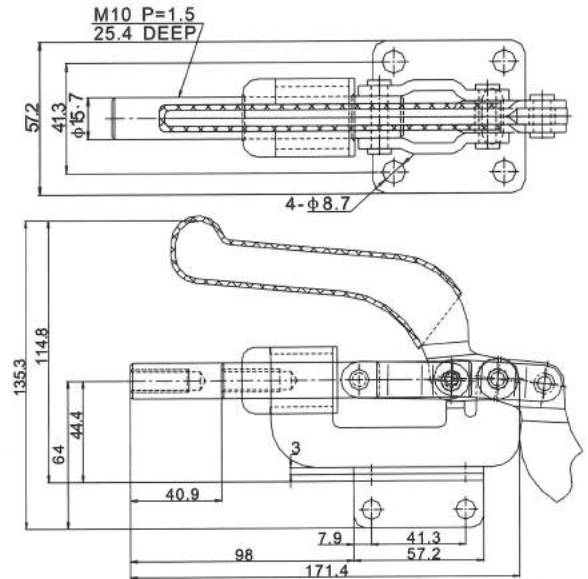
180°

PLUNGER STROKE(行程) :

40.9mm



MODEL	DESCRIPTION
GH-36010M	FLANGED BASE
GH-36012M	STRAIGHT BASE



GH-31501

WEIGHT(自重) : 380g

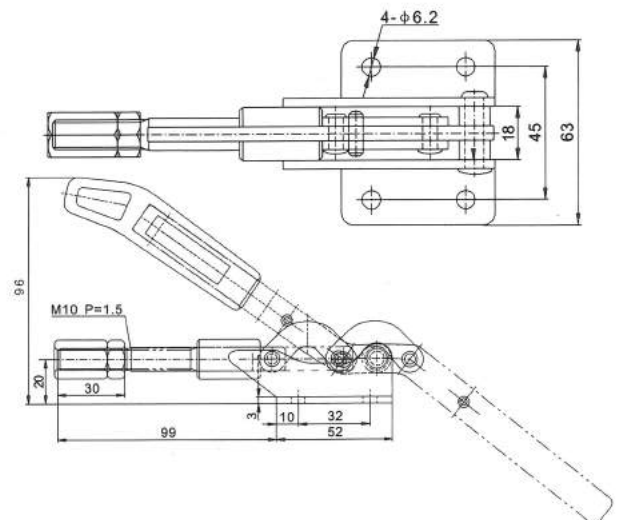
HOLDING CAPACITY(夹持力) :

200kg

HANDLE OPENS(手柄开启角度) :

190°

PLUNGER STROKE(行程) : 30mm



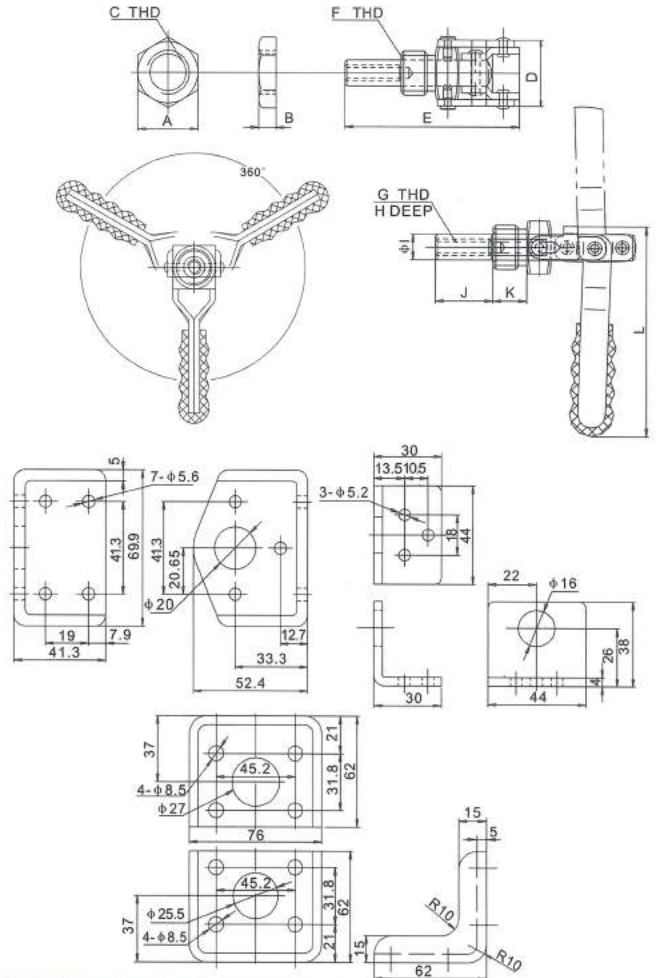
GH-36202 GH-36204 GH-36224

*Plunger Clamp With Threaded Collar for Mounting Through Panels or Plates
 夹具依靠外螺纹固定安装

GH-36224
 M10×50

GH-36204
 M8×50

GH-36202
 M6×40



MODEL	WEIGHT(g)	HOLDING CAPACITY(kg)	PLUNGER STROKE	OPTIONAL MOUNTING BRACKET	A	B	C	F	D	E	G	H	φI	J	K	L
GH-36202	121	91	20	GH-36203	24	6.4	M16	=1.5	24	64.2	M6=1	15.8	9.4	21	12.7	75
GH-36204	265	136	39	GH-36205	30	6.4	M20	=1.5	28.2	115	M8P=1.25	25.4	11	39.7	15.9	98
GH-36224	755	318	65.5	GH*36225M	41	8	M27	=2.0	40	170.8	M10P=1.5	31.75	15.8	70.3	22.3	137
GH-36202-MSS	STAINLESS STEEL															
GH-36204-MSS	STAINLESS STEEL															
GH-36224-MSS	STAINLESS STEEL															

GH-30290M AND GH-30292M

*Plunger Locks in Extended Position Only.

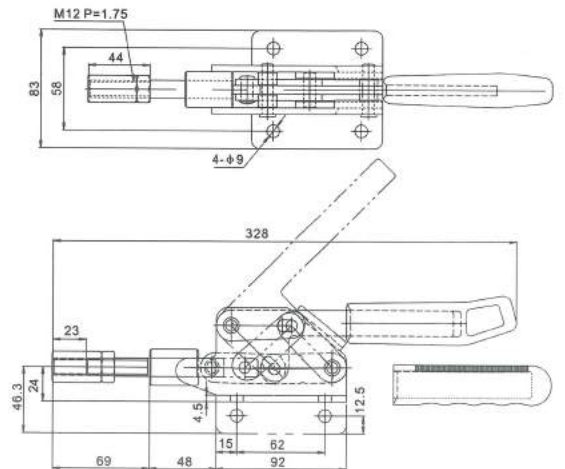
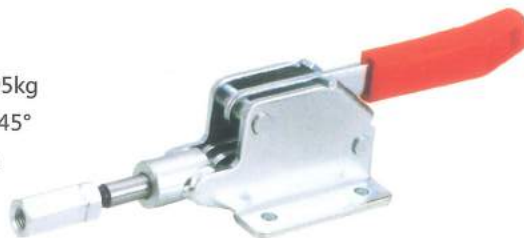
手柄下压为锁紧状态

WEIGHT(自重) : 1270g

HOLDING CAPACITY(夹持力) : 295kg

HANDLE OPENS(手柄开启角度) : 45°

PLUNGER STROKE(行程) : 23mm



MODEL	DESCRIPTION
GH-30290M	FLANGEDBASE
GH-30292M	STRAIGHT BASE

GH-36060

*Plunger Lockw in Extended Position Only.手柄下压为锁紧状态。

WEIGHT(自重) : 690g

HOLDING CAPACITY(夹持力) : 300kg

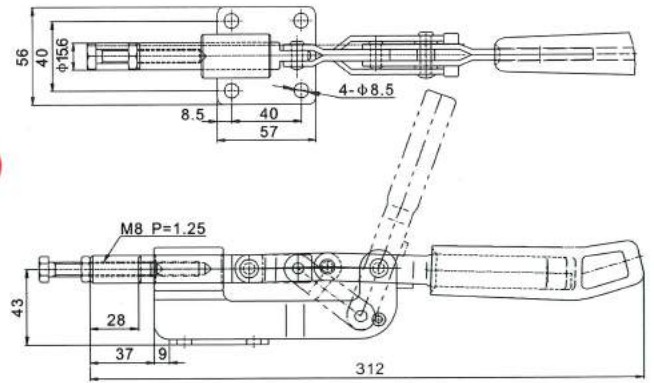
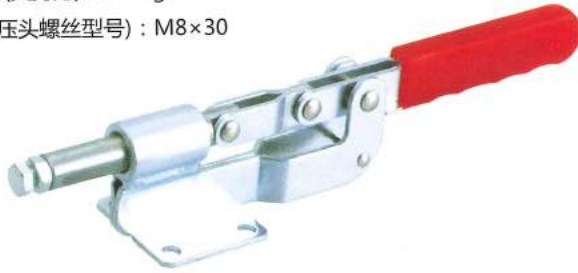
SPINDLE SUPPLIED(压头螺丝型号) : M8×30

HANDLE OPENS

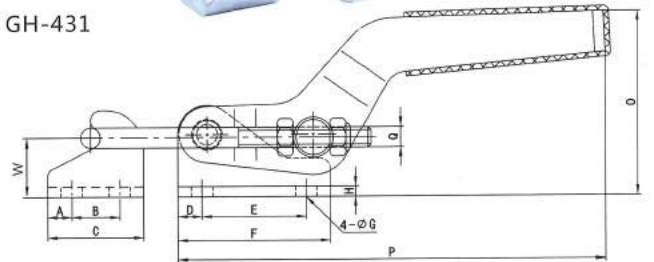
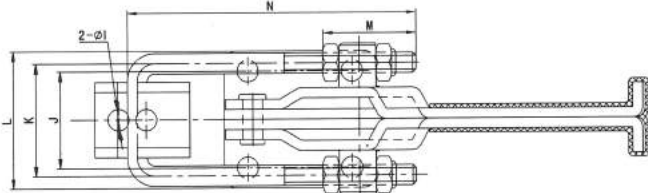
(手柄开启角度) : 76°

PLUNGER STROKE

(行程) : 28mm



GH-40323 GH-431 GH-40341



MODEL	WEIGHT(g)	拉力(kg)	A	B	C	D	E	F	φG	H	φI	J	K	L	M	N	O	P	Q	W
GH-40323	77.6	163	5	10	20	5.2	15.9	26.2	4.4	2	4.4	19	19	28.2	24	58-85	29.3	75	M4P=0.7	12
GH-431	210	318	6.8	12	25.4	6.4	19	39.7	6.7	3	6.3	31.6	27	44.4	38	90-260	41.3	123.7	M5P=1	12.2
GH-40341	570	900	9.5	19.2	38.1	9.5	41.3	60.3	8.6	4	8.5	38.1	44.5	54	52	115-450	74	168.5	M8P=1.25	23.2
GH-40323-SS	STAINLESS STEEL																			
GH-431M-SS	STAINLESS STEEL																			
GH-40341-SS	STAINLESS STEEL																			

GH-40380 AND GH-40370-LP

*Forged alloy steel base(GH-40380底座为锻造合金钢)

*Optional latch plate available : GH-40370-LP

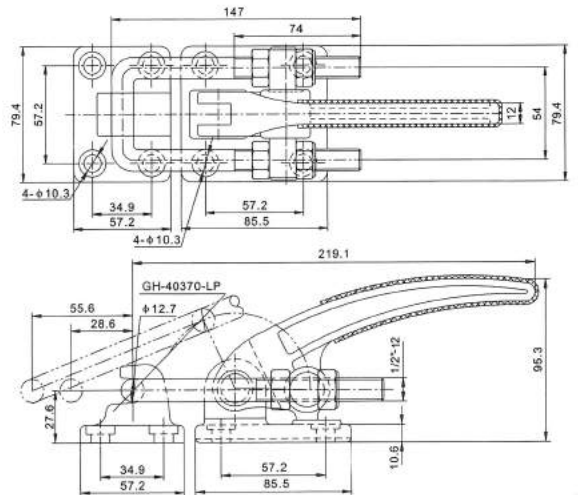
WEIGHT(自重) : 2000g

HOLDING CAPACITY(夹持力) : 3400kg

GH-40380-SS & LATCHPLATE

are stainless steel

GH-40380-U Bolt φ1/2



GH-40370 AND GH-40370-LP

*Forged alloy steel base(GH-40370底座为锻造合金钢)

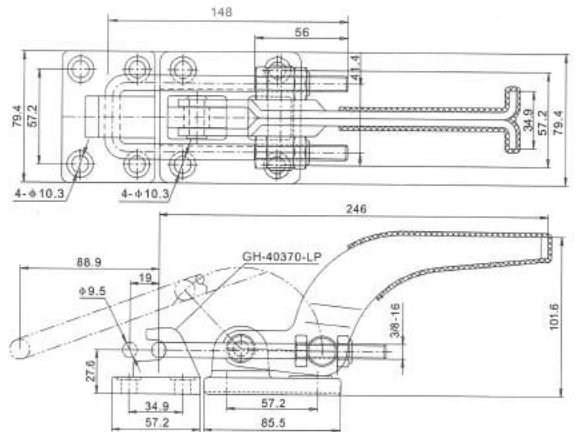
*Optional latch plate available : GH-40370-LP

WEIGHT(自重) : 1330g

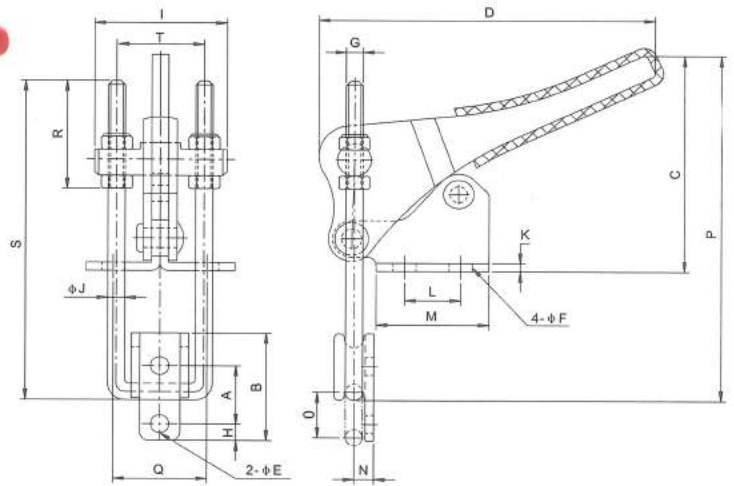
HOLDING CAPACITY(夹持力) : 1818kg

GH-40370-LP Dyctukeiron

GH-40370-U Bolt ϕ 3/8



GH-40324 THRU GH-40344



MODEL	WEIGHT(g)	HOLDING CAPACITY(kg)	A	B	C	D	ϕ E	ϕ F	G	H	I	ϕ J	K	L	M	N	O	P	Q	R	S	T
GH-40324	95.6	225	14.3	25.4	53.3	79	4.4	5.3	M4P=0.7	4	31	4	2	13	26	4.7	11.1	85	22	26.5	78.5	20.5
GH-40334	267	450	20.6	38.1	61.9	120	7.1	7.1	M6P=1	7.1	41.3	6.35	3	19.1	33.3	8.7	17.5	108.5	25.4	40.5	114	28
GH-40344	648	900	27	54	88.7	130.2	8.7	8.7	M8P=1.25	9.5	60.3	7.9	4	31.8	47.6	12.7	28.6	150	36.5	58	154	44.5
GH-40324-SS	STAINLESS STEEL																					
GH-40334-SS	STAINLESS STEEL																					
GH-40344-SS	STAINLESS STEEL																					

GH-43110 AND GH-43120

WEIGHT(自重) : 208g

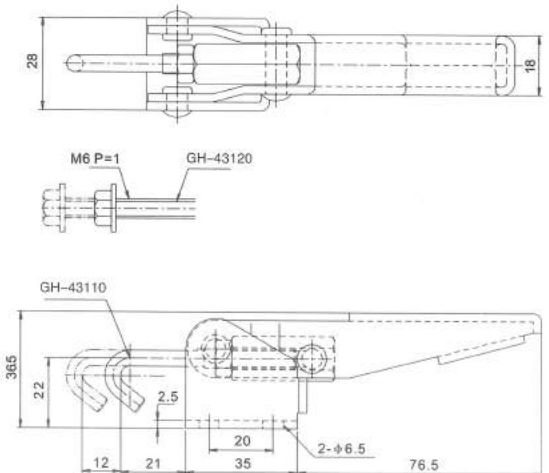
HOLDING CAPACITY(夹持力) : 170kg

*GH-43110 Supplied with M6P=1.0 hook bolt.

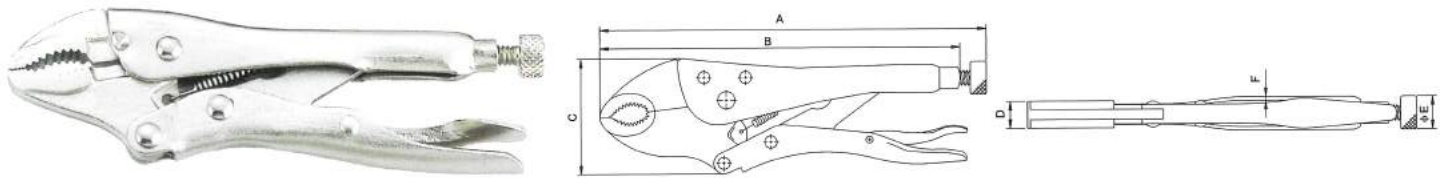
*GH-43120 Supplied with GH-SA-065010 hex head spindle assembly

GH-43110

GH-43120



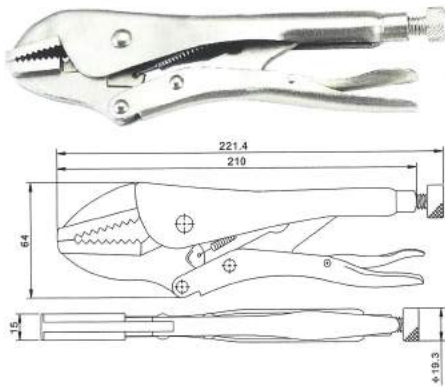
GH-51105 AND GH-51150 AND GH-51152(GM310AI)



MODEL	WEIGHT(g)	HOLDING CAPACITY(kg)	A	B	C	D	φE	F
GH-51105	180	102	143	130	42	9	13	2
GH-51150	340	350	190	170	52.5	11	16.5	2
GH-51152	520	600	228	211	63	11	19	2

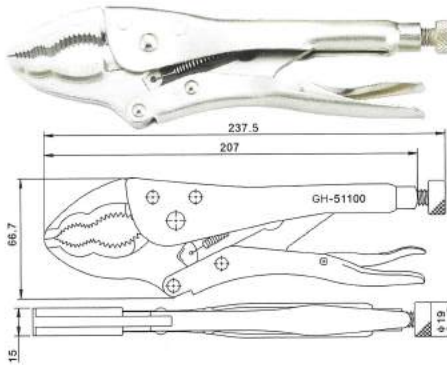
GH-51151

WEIGHT (自重) : 520g
HOLDING CAPACITY (夹持力) : 580kg



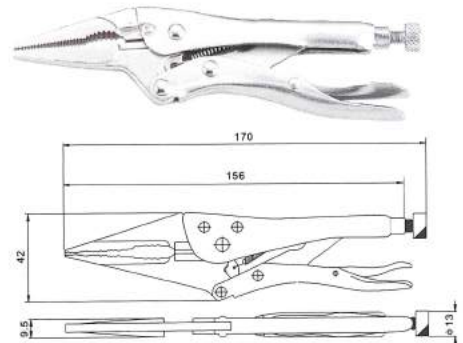
GH-51100

WEIGHT (自重) : 850g
HOLDING CAPACITY (夹持力) : 350kg



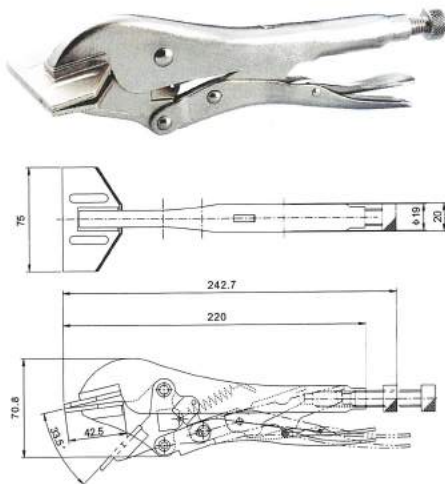
GH-51106

WEIGHT (自重) : 190g
HOLDING CAPACITY (夹持力) : 102kg



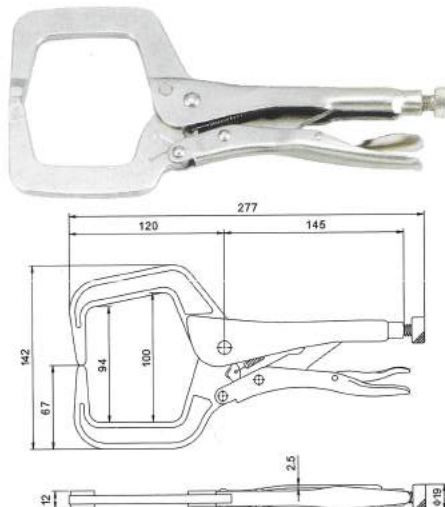
GH-51108

WEIGHT (自重) : 698g
HOLDING CAPACITY (夹持力) : 454kg



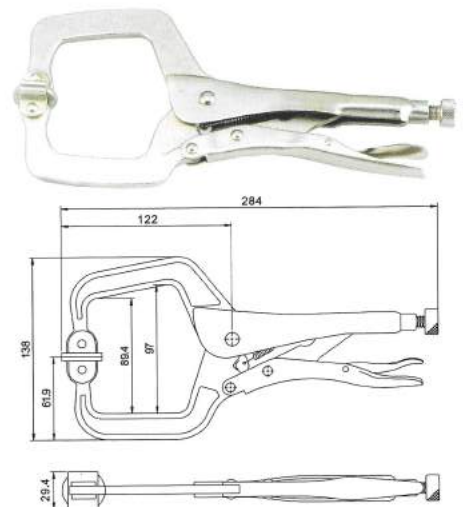
GH-51111

WEIGHT (自重) : 850g
HOLDING CAPACITY (夹持力) : 350kg



GH-511SP

WEIGHT (自重) : 850g
HOLDING CAPACITY (夹持力) : 350kg



GH-70305, GH-70310, GH-70315, GH-70505, GH-70510 GH-70515, GH-70605, GH-70610, GH-70615

These heavy-duty clamps provide the strong and durable function to meet then requirement of high precision repeatability for car manufacturing industry, Drop forged parts are accurately machined and equipped with hardened pivot pins and bushings. The clamps are fitted with hardened and ground bushes and pivot pins.



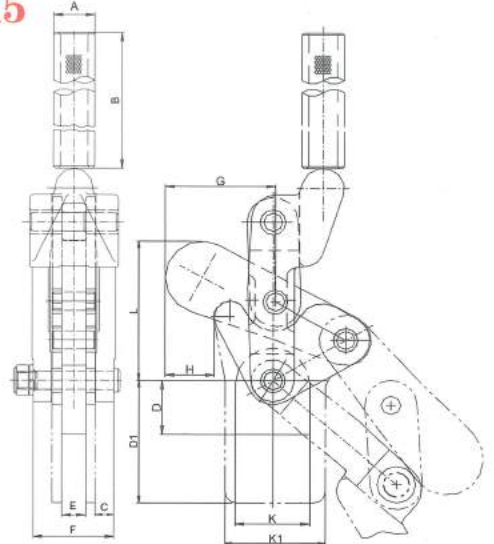
GH-70305
GH-70505
GH-70605



GH-70310
GH-70510
GH-70610



GH-70315
GH-70515
GH-70615



MODEL	WEIGHT(g)	HOLDING CAPACITY(kg)	ARMOPENS	HANDLEOPENS	φA	B	C	D	D1	E	F	G	H	K	K1	L						
GH-70305	790	500	214°	134°	17.5	6.7	20	-	-	10	31.8	40	15	29	-	51						
GH-70310	850							-	-	50	-	-	-	-	-	-	-	-	-	-	-	
GH-70315	940							-	-	50	-	-	-	-	-	-	-	-	-	-	45	
GH-70505	1355	1000	206°	130°	22.2	125	9.6	28	-	12.3	40.3	57	26	38	-	73						
GH-70510	1490								-	-	63.5	-	-	-	-	-	-	-	-	-	-	51
GH-70515	1590								-	-	63.5	-	-	-	-	-	-	-	-	-	-	-
GH-70605	2550	2000	206°	130°	27	10.3	33	-	-	16	48.6	74.3	33	51	-	91						
GH-70610	2870							-	-	76	-	-	-	-	-	-	-	-	-	-	-	
GH-70615	2990							-	-	76	-	-	-	-	-	-	-	-	-	-	-	63.5

GH-702-C, GH-70201, GH-702-D, GH-70203, GH-702-K GH-701-C, GH-70101, GH-701-D, GH-70103, GH-701-K

FIXED HANDLE HOLDER
(ONE PIECE FORGED)

FIXED HANDLE HOLDER
(ONE PIECE FORGED)



GH-702-C
GH-702-D
GH-702-K



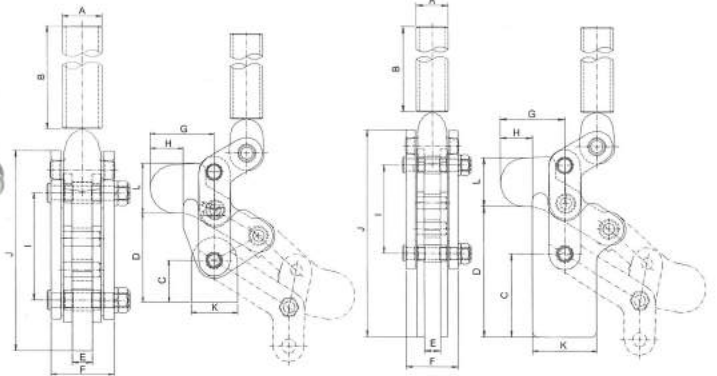
GH-70201
GH-70203



GH-701-C
GH-701-D
GH-701-K



GH-70101
GH-70103



MODEL	WEIGHT(g)	HOLDING CAPACITY(kg)	ARMOPENS	HANDLEOPENS	φA	B	C	D	E	F	G	H	I	J	K	φL
GH-702-C	680	200	194°	123°	17.3	23.8	48	8	31.8	40	17	50.8	93	26	28	28
GH-70201																
GH-702-D	1560	500	191°	122°	21.7	33.7	69	13	42	51	26	70	132	36.4	39	39
GH-70203																
GH-702-K	2550	1000	197°	128°	27.2	37.2	84	16	46	59	26.7	90	161	50	50.5	50.5
GH-701-C	740	200	194°	123°	17.3	50	75	8	31.8	40	17	50.8	121	44.5	28	28
GH-70101	700															
GH-701-D	1680	500	191°	122°	21.7	66.8	102	13	42	51	26	70	165	50	39	39
GH-70103	1590															
GH-701-K	2650	1000	197°	128°	27.2	80	123	16	46	59	26.7	90	202	63	50.5	50.5

GH-10101-A

This miniature clamps is air powered version of model GH-10I-A. Supplied with GH-FC-10138 neoprene tipped spindle assembly.



GH-12050-A AND GH-12050-UA

Supplied with GH-FC-14134 neoprene tipped spindle assembly. Hold down bar open 95° to facilitate easy part loading and unloading



GH-12130-A AND GH-12132-A

Accepts all 5/16-18 diameter spindles Solid bar with bolt retainer or Ubar with flanged washers is available. Bar opens 92°



GH-12265-A AND GH-12275-A

Similar to series GH-12132-A Accepts all 3/8-16 diameter spindles. Bar opens 95°



GH-36003-A

The 11.1mm diameter plunger extends 19.05mm to a locked position The end of the plunger is drilled and tapped for a M8 P1=1.25 spindle



GH-36330-A

The 15.6mm diameter plunger travels forward 31.8mm form and open to a closed and locked position. Plunger is drilled and tapped to accept a M10P=1.5 spindle or to receive your custom fixture



GH-305-EA

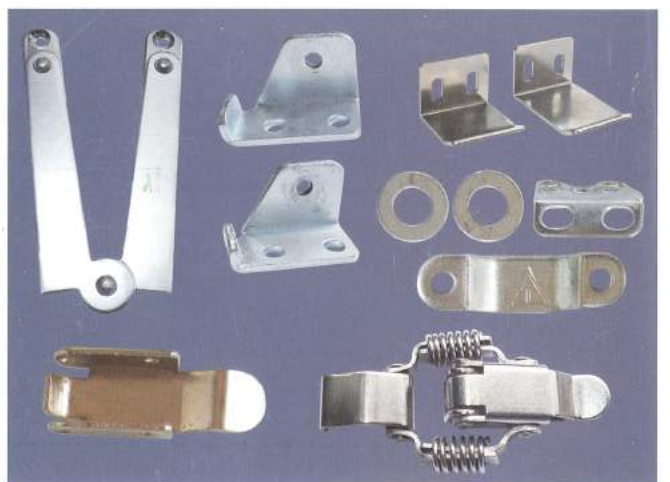
The 15.6mm diameter plunger travels forward 25.4mm form and open to a closed and positive locked position even if air pressure fails. Plunger accepts any M10P=1.5 spindle or to receive your custom fixture.



GH-10247-A AND GH-10249-A

Similar to preceding air - powered hold down action models. Accepts all 1/"spindles. Bar opens 95°







(快速夹具型录) 英汉对照

英文	中文
MODEL	型号
WEIGHT	自重
HOLDING CAPACITY	夹持力
SPINDLE SUPPLIED	压头螺丝型号
BAR OPENS	压把开启角度
HANDLE OPENS	手柄开启角度
U--BAR	U型压把
(LONG) SOLID BAR	(长)实心压把
(SHORT) SOLID BAR	(短)实心压把
OPEN BAR	开口压把
HIGH BAR	高压把
LOW BAR	低压把
FLANGED BASE	法兰底座
STRAIGHT BASE	直底座
LEFT HAND FLANGED BASE	左法兰底座
RIGHT HAND FLANGED BASE	右法兰底座
STRAIGHT HANDLE	直手柄
T-HANDLE	T型手柄
SIDE MOUNTED	侧面法兰安装
PLUNGER STROKE	行程
FIXED SPINDLE	压头螺栓不能移的压把
STAINLESS STEEL	不锈钢
CYLINDER BORE	缸径
CYLINDER AREA	气缸面积
MAXIMUM CYLINDER AIR PRESSURE	气缸最大的压力
MAXIMUM HOLDING CAPACITY	最大夹持力

